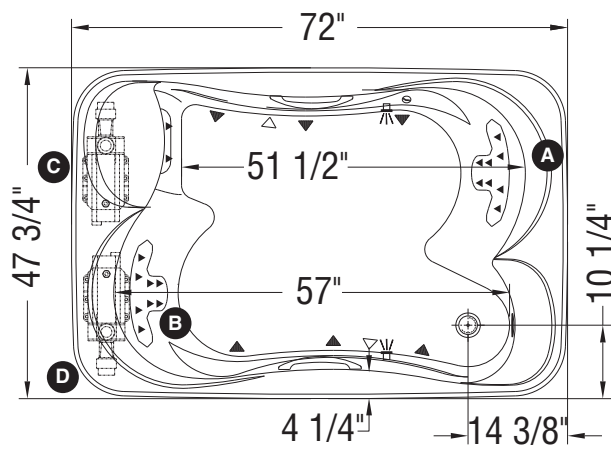
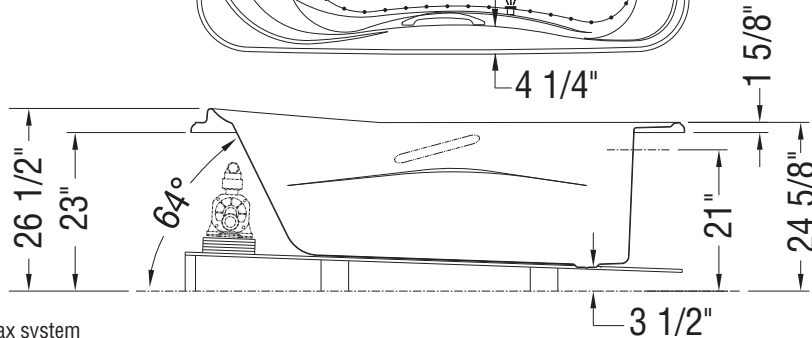
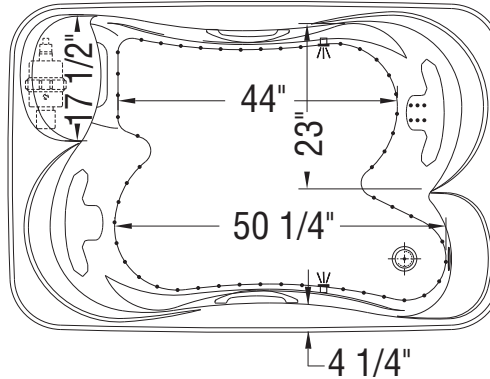


## WHIRLPOOL SYSTEM



## AIR SYSTEM



- A** : Location of the Backmax system
- B** : Location of an additional Backmax system
- C** : Standard pump location
- D** : Second pump location (only when equipped with additional Backmax system)

( ▲ ) : Indicates whirlpool jets positioning

( △ ) : Indicates suction positioning

( ● ) : Indicates airjets positioning

( — ) : Indicates standard grab bar positioning

( ☼ ) : Indicates chromatherapy light positioning

Bathtub base includes anti-vibration Neutra-Phone leg supports (not shown).

**All dimensions are approximate. Structure measurements must be verified against the unit to ensure proper fit.**