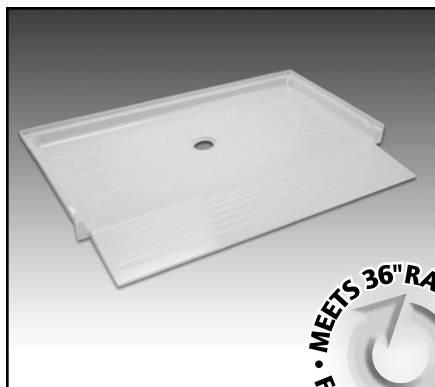




MUSTEE
Preferred by the "Pros"

CareGiver® 3865 Barrier-Free Shower Floor with 360.100 Entry Ramp

SEE PAGES 2-3 FOR A LIST OF ACCESSORIES!



• MEETS 36" RADIUS •
FOR WHEELCHAIR •

Design features:

- Produced from high-grade, reinforced, molded fiberglass for optimum strength and impact resistance using matched metal molds under heat and pressure.
- Ideal for new or remodel projects...fits DURAWALL® Shower Wall (see Accessories section) as well as ceramic tile or preformed wall kit.
- Fits 65" wide by 38" deep alcove
- Optional drain kits are available for connecting to 2" copper (DWV) or 2" soil pipe.
- 360.100 Entry Ramp (order separately) creates curbless entry and exit for wheelchairs and walkers
- Meets ADA requirements for a full 36" turning circle
- Slip resistant Starburst® surface helps rapidly evacuate water to the drain
- Center drain location
- Available in white
- Smooth, colorfast semi-gloss finish, resists scuffs.
- Mold and mildew-resistant...easy to clean

Code Accepted

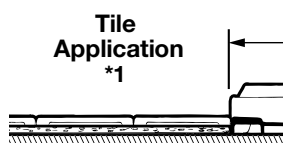
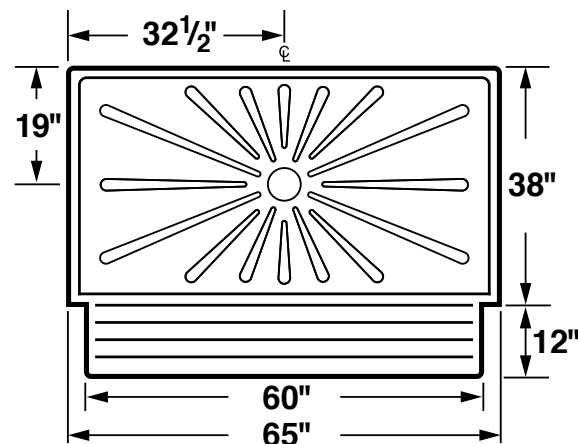
- Americans with Disabilities Act (ADA)
- Code of Federal Regulations: July 1, 1997 and July 1, 2007 (ADA)
- American Society of Testing & Materials (ASTM)-D635 Flammability, E84 Flame Spread, E165.75 Fire Retardancy

Specifications

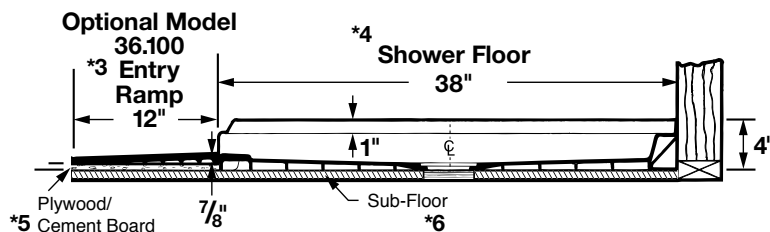
Model	Description	Drain Location	Fits Alcove	UPC
Barrier-Free Shower Floor				
3865	White	Center	38" x 65"	6 71031 00430 7
Entry Ramp (Order separately) 12" deep x 60" wide				
360.100	White	—	—	6 71031 00275 4

General: Furnish and install as shown on plans, E.L. Mustee & Sons, Inc. Model 3865 Easy-Access Shower Floors. Construction shall be molded fiberglass using matched metal molds under extreme heat and pressure. Drain position: Center. Shall meet ADA, ASTM D635, E84 and E162 specifications and Code of Federal Regulations July 1, 1997 and July 1, 2007. Color: White.

General: Furnish and install as shown on plans Shower Floor Entry Ramp model: _____, as manufactured by E.L. Mustee & Sons, Inc. Ramp to be one piece, molded fiberglass made with matched metal molds. Slip resistant surface. Trimmable to accommodate for a nearby toilet or other structure. Size 12" x 60". Color: _____ (White, Bone)



*2 Sturdy entry ramp features a slip resistant surface, gentle slope and can be trimmed to accommodate toilets or other obstructions.



MUSTEE

E.L. Mustee & Sons, Inc. • 5431 West 164th Street • Brook Park, OH 44142 • Phone: 216.267.3100 • Fax: 216.267.9997
E-mail: info@mustee.com • Web: www.mustee.com • Proudly made in the USA

Notice: Our continuous commitment to product improvement may result in changes to product specifications without notice. Patents pending. Made and Printed in U.S.A.



▶ **Drain Assemblies**

42.317A, 42.320, 42.321 Drain Assembly



Model	Color	UPC
42.317A	Drain assembly	6 71031 00167 2
42.320 Optional	Drain for 2" copper (DWV)	6 71031 00309 6
42.321 Optional	Drain seal for 2" soil pipe (SW)	

Use to replace bathtub waste line and connect to existing DWV sanitary pipe.

▶ **DURAWALL® Shower Walls**

DURAWALL® thermoplastic shower walls to best fit the needs of your 3865 Barrier-Free Shower Floor include:

265 DURAWALL® — THERMOPLASTIC, 5-PANEL RECTANGULAR SHOWER WALLS, ADHESIVE MOUNT

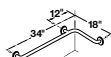


Model No.	Description	UPC
265WHT	Widths to 71", depths to 41-1/2"	6 71031 00478 9

▶ **CareGiver® Grab Bars**

A wide range of straight and angled 304 stainless steel grab bars in all popular styles, lengths and sizes are available to provide in-shower support and stability.

1½" DIA. INSIDE CORNER STYLES — SAFETY GRAB BARS



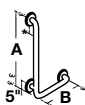
Model	A — Size —	B	C	UPC
390.304	34"	18"	90°	6 71031 00362 1
390.303	42"	20"	90°	6 71031 00361 4

1½" DIA. STRAIGHT — SAFETY GRAB BARS

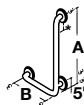


Model	Size	UPC
390.305	18"	6 71031 00452 9
390.301	24"	6 71031 00359 1
390.306	36"	6 71031 00434 5
390.307	42"	6 71031 00435 2
390.302	48"	6 71031 00360 7

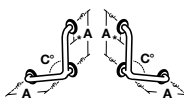
1½" DIA. ANGLED — SAFETY GRAB BARS



Model	A — Size —	B	C	UPC
390.308	24"	16"	90°	6 71031 00436 9
390.309	32"	16"	90°	6 71031 00437 6



390.310	24"	16"	90°	6 71031 00438 3
390.311	32"	16"	90°	6 71031 00439 0



390.312	30"		90°	6 71031 00440 6
390.313	12"	No Corner Flange	120°	6 71031 00441 3
390.314	16"		120°	6 71031 00442 0
390.315	24"		120°	6 71031 00443 7

Rotate for RH or LH use



► **CareGiver® Fold-Down Shower Seats**

CareGiver® Fold-Down Shower Seats can be ordered in Right hand, Left hand and Rectangular Fold-Down and Leg-supported styles. All popular sizes are available to provide a stable, secure place to sit while showering.



Model	Size	UPC
390.402	26" x 21"	6 71031 00364 5
390.404	32" x 21"	6 71031 00366 9



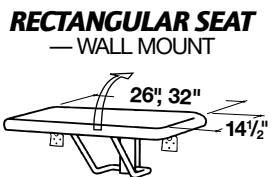
Model	Size	UPC
390.401	26" x 21"	6 71031 00363 8
390.403	32" x 21"	6 71031 00365 2



390.405	26" x 21"	6 71031 00444 4
390.406	32" x 21"	6 71031 00445 1



390.407	26" x 21"	6 71031 00446 8
390.408	32" x 21"	6 71031 00447 5

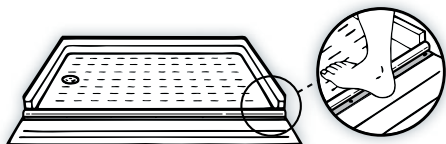


390.409	26" x 14 1/2"	6 71031 00448 2
390.410	32" x 14 1/2"	6 71031 00449 9



390.411	26" x 14 1/2"	6 71031 00450 5
390.412	32" x 14 1/2"	6 71031 00451 2

► **Continuous Water Barrier Kit**



The 360.210 Continuous Water Barrier Kit creates an effective water barrier for the shower threshold that easily collapses for wheelchairs or walkers then instantly reforms to keep water from escaping.

Model	UPC
360.210	6 71031 00479 6

► **GapSeal-Pro™ — For all shower floors and bathtubs**



Model No.	Description	UPC
60.320A	132" long x 2" tall	6 71031 00496 3

The flexible PVC GapSeal-Pro™ features a strong adhesive strip that allows it to be easily positioned to "extend" the tile flange and effectively seal the gap between drywall or like-surfaces on shower floors or bathtubs. Patent pending.