



# T&S BRASS AND BRONZE WORKS, INC.

2 Saddleback Cove / P.O. Box 1088  
Travelers Rest, SC 29690

Model No.

**B-2339-7132MVBH**

Item No.

Travelers Rest, SC: 800-476-4103 • Simi Valley, CA: 800-423-0150 • Fax: 864-834-3518 • www.tsbrass.com

This Space for Architect/Engineer Approval

Job Name \_\_\_\_\_ Date \_\_\_\_\_

Model Specified \_\_\_\_\_ Quantity \_\_\_\_\_

Customer/Wholesaler \_\_\_\_\_

Contractor \_\_\_\_\_

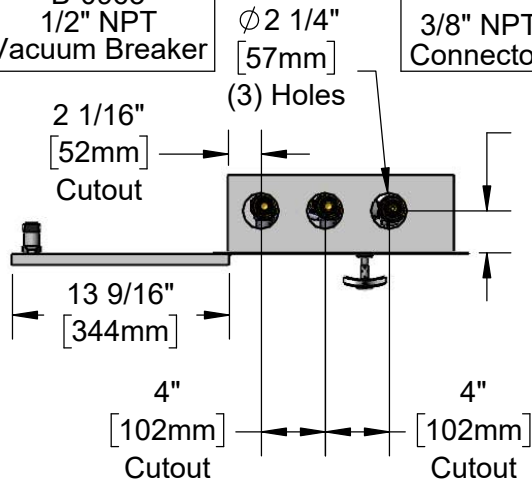
Architect/Engineer \_\_\_\_\_



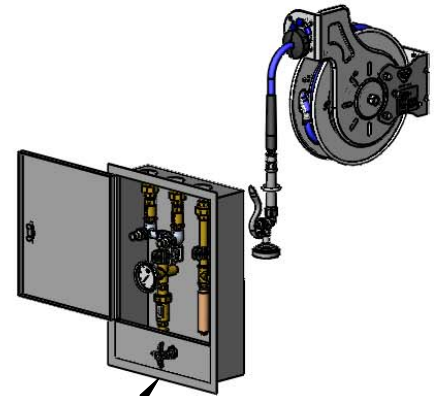
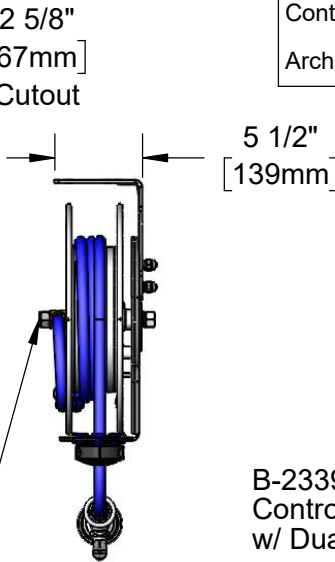
**B-0963**  
1/2" NPT  
Vacuum Breaker



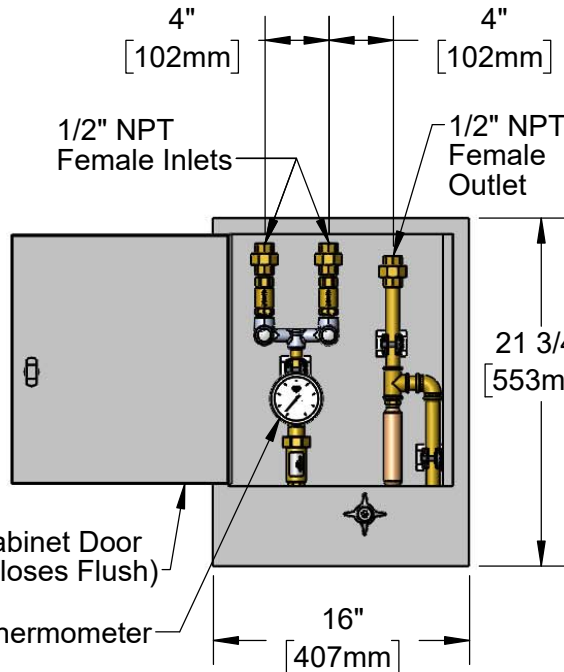
**HW-4B-24**  
3/8" NPT x 24" Flexible Water  
Connector w/ Quick Disconnect



Once Installed  
3/8" NPT Inlet  
on Left



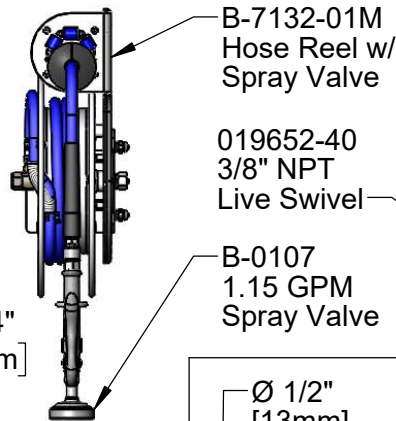
**B-2339-LR**  
Control Cabinet  
w/ Dual Check Valves



Cabinet Door  
(Closes Flush)

Thermometer

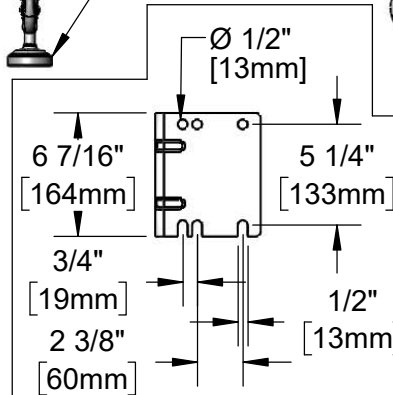
Cabinet Rough-In Requirement:  
20 1/4" H x 14 1/4" W x 5" D



**B-7132-01M**  
Hose Reel w/  
Spray Valve

**019652-40**  
3/8" NPT  
Live Swivel

**B-0107**  
1.15 GPM  
Spray Valve



Main Shutoff Valve  
Body Behind Panel.  
Operable From  
Outside of Closed  
Cabinet.

### Product Specifications:

Open Hose Reel w/ 35' Hose, 1.15 GPM Spray Valve w/ Swivel, Rinse Control Cabinet w/ Control Valve, Dual Check Valves, Thermometer, Water Hammer Arrestor, 1/2" NPT Vacuum Breaker & 3/8" Flexible Water Connector w/ Quick Disconnect

### Product Compliance:

ASSE 1024 (VB)  
NSF 61 Exempt (Non-Potable)  
2019 DOE PRSV - Class II  
ASSE 1056 (VB)



# T&S BRASS AND BRONZE WORKS, INC.

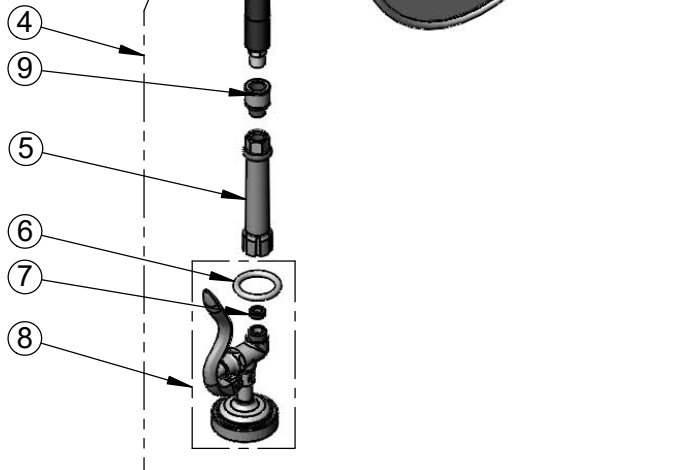
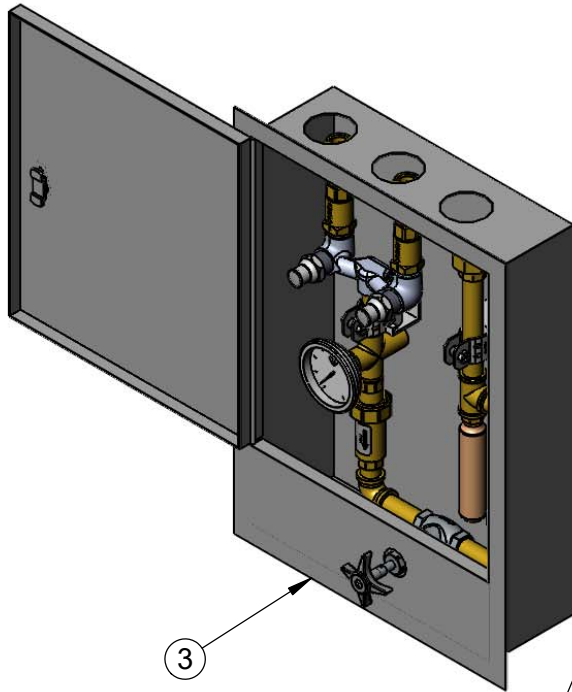
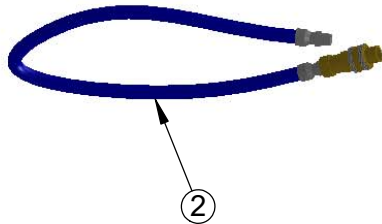
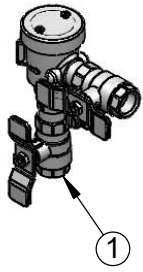
2 Saddleback Cove / P.O. Box 1088  
Travelers Rest, SC 29690

Model No.

**B-2339-7132MVBH**

Item No.

Travelers Rest, SC: 800-476-4103 • Simi Valley, CA: 800-423-0150 • Fax: 864-834-3518 • www.tsbrass.com



ITEM NO.	SALES NO.	DESCRIPTION
1	B-0963	1/2" NPT Continuous Pressure VB w/ Integral Check Valve
2	HW-4B-24	3/8" x 24" Flexible Water Connector w/ Quick Disconnect
3	B-2339-LR	Reel Control Cabinet w/ Control Valve, Dual Check Valves & Thermometer
4	B-7132-01M	Open Stainless Steel Reel w/ 35' of 3/8" Hose & Spray Valve
5	002881-40	Gray Grip Handle
6	000907-45	Spray Valve Hold Down Ring
7	010476-45	#27 Washer
8	B-0107	1.15 GPM Spray Valve
9	019652-40	3/8" NPT Live Swivel

**Product Specifications:**

Open Hose Reel w/ 35' Hose, 1.15 GPM Spray Valve w/ Swivel, Rinse Control Cabinet w/ Control Valve, Dual Check Valves, Thermometer, Water Hammer Arrestor, 1/2" NPT Vacuum Breaker & 3/8" Flexible Water Connector w/ Quick Disconnect

**Product Compliance:**

ASSE 1024 (VB)  
NSF 61 Exempt (Non-Potable)  
2019 DOE PRSV - Class II  
ASSE 1056 (VB)