



T&S BRASS AND BRONZE WORKS, INC.
 2 Saddleback Cove / P.O. Box 1088
 Travelers Rest, SC 29690

Model No.
B-0107-LR

Item No.

Travelers Rest, SC: 800-476-4103 • Simi Valley, CA: 800-423-0150 • Fax: 864-834-3518 • www.tsbrass.com

This Space for Architect/Engineer Approval

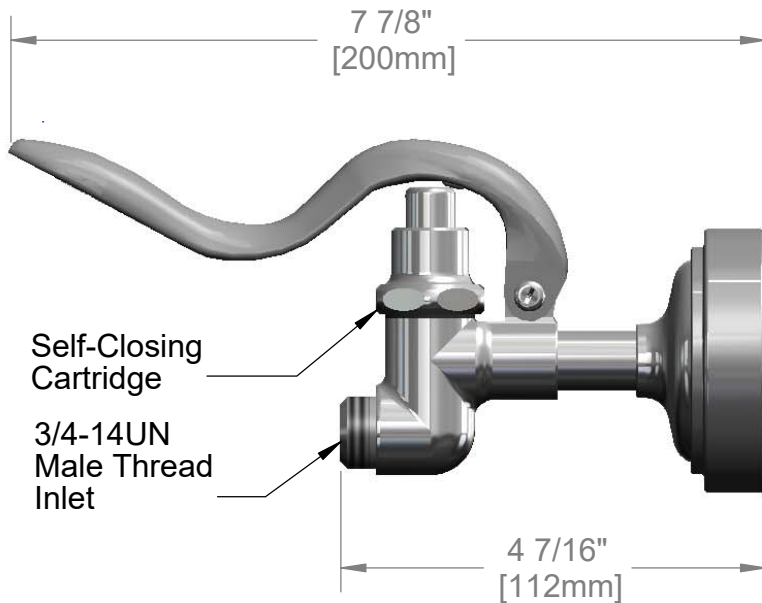
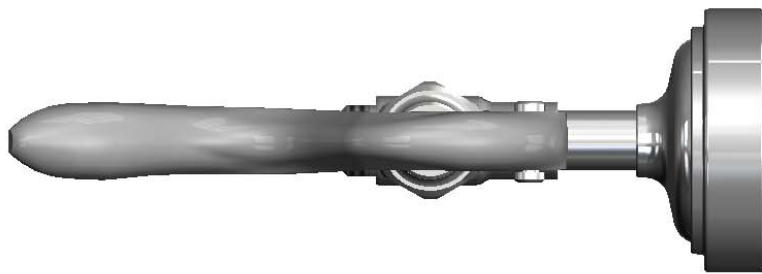
Job Name _____ Date _____

Model Specified _____ Quantity _____

Customer/Wholesaler _____

Contractor _____

Architect/Engineer _____



2 3/4" [70mm] Rubber Bumper



Product Specifications:

Self-Closing Pre-Rinse Spray Valve w/ Rubber Bumper & 1.15 GPM Flow Control Spray Face, Less Hold Down Ring

Product Compliance:

ASME A112.18.1 / CSA B125.1
 NSF 61 - Section 9
 NSF 372 (Low Lead Content)
 2019 DOE PRSV - Class II



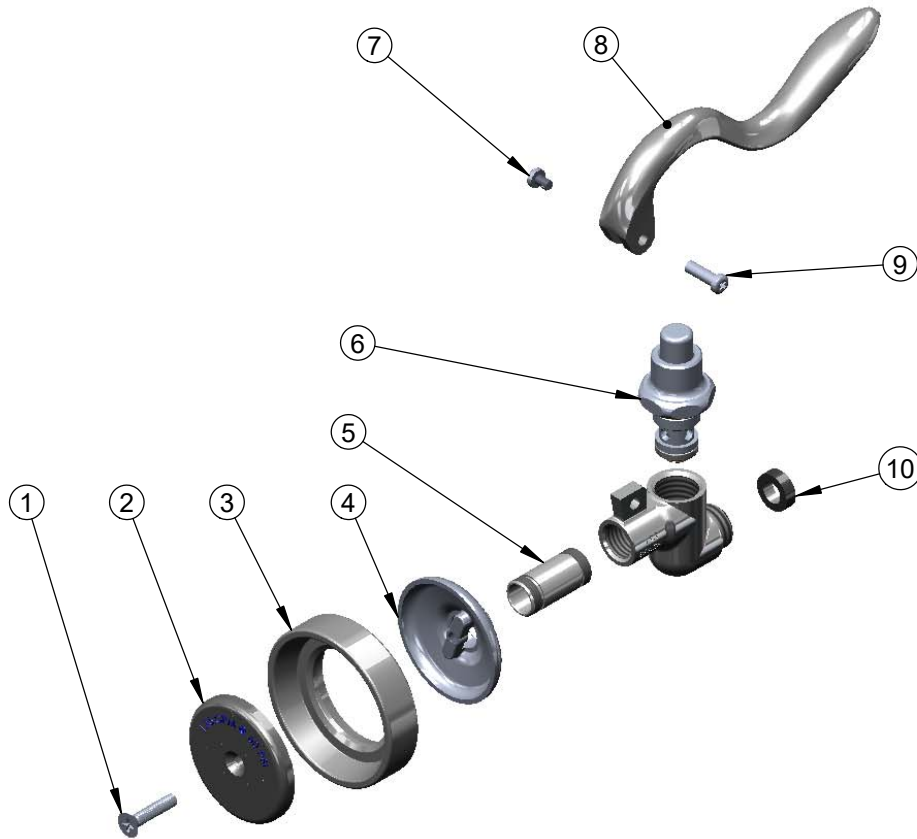
T&S BRASS AND BRONZE WORKS, INC.
 2 Saddleback Cove / P.O. Box 1088
 Travelers Rest, SC 29690

Model No.
B-0107-LR

Item No.

Travelers Rest, SC: 800-476-4103 • Simi Valley, CA: 800-423-0150 • Fax: 864-834-3518 • www.tsbrass.com

ITEM NO.	SALES NO.	DESCRIPTION
1	000913-45	Screw
2	001121-45	Spray Valve Spray Face
3	007861-45	Spray Valve Sprayhead Ring
4	000019-40	Spray Cup, B-0107
5	000694-40	B-0107 Short Nipple Plated
6	002856-40	Spray Valve Bonnet
7	003199-45	Spray Valve Handle Screw
8	001120-45	Spray Valve Handle
9	003198-45	Spray Valve Handle Nut
10	010476-45	#27 Washer



Product Specifications:
**Self-Closing Pre-Rinse Spray Valve w/ Rubber Bumper
 & 1.15 GPM Flow Control Spray Face, Less Hold Down Ring**

Product Compliance:
 ASME A112.18.1 / CSA B125.1
 NSF 61 - Section 9
 NSF 372 (Low Lead Content)
 2019 DOE PRSV - Class II