



# Ensemble™ Medley®

## 60" x 30" AFD Bath/Shower with Backer Boards

### 71370118



### Features

- Alcove installation
- 18-3/4" apron
- Solid Vikrell material
- Left drain
- Tongue-and-groove walls with snap-together installation
- High-gloss walls
- No caulk required
- Molded-in shelves
- Dry-Block™ seal and channeled water containment system
- 3" drain-to-floor clearance for above-floor drain installation
- Aging in Place backerboards

### Included Components

Product consists of:

- 71374106 60" x 30" Bath/Shower Wall Set with Backer Boards
- 71171112 30" AFD Bath



### Codes/Standards



- CSA B45.5/IAPMO Z124
- ASTM E162
- ASTM E662
- Greenguard UL 2818 - Gold
- HUD, UM Bulletin 73

### Warranty – Bathing Fixtures (and) Kitchen and Utility Sinks Made of Solid Vikrell® Material

See website for detailed warranty information.

### Available Colors/Finishes

*Color tiles intended for reference only.*

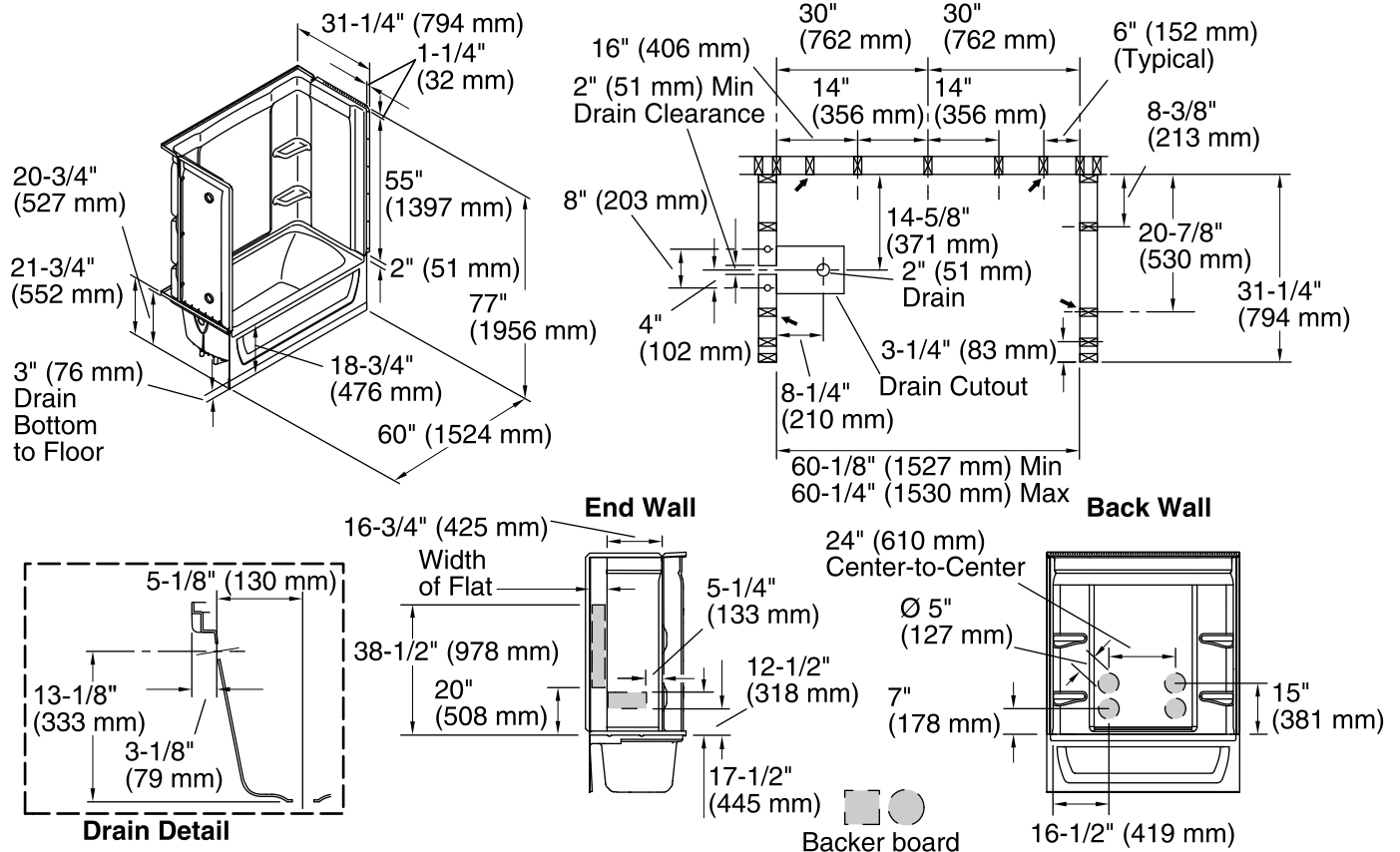
| Color  | Code | Description    |
|--|------|----------------|
|  | 0    | White          |
|  | 96   | KOHLER Biscuit |

1-800-STERLING (1-800-783-7546)

Kohler Co. reserves the right to make revisions without notice to product specifications.

For the most current Specification Sheet, go to [www.sterlingplumbing.com](http://www.sterlingplumbing.com).

4-26-2019 00:34 - US



#### Technical Information

All product dimensions are nominal.

- Installation: Three-wall alcove
- Drain location: Left
- Basin area, bottom: 45" x 20" (1143 mm x 508 mm)
- Basin area, top: 53" x 23" (1346 mm x 584 mm)
- Water depth: 11-1/4" (286 mm)
- Water capacity: 44 gal (166.6 L)
- Minimum flat for door: 2-3/4" (70 mm)
- Maximum door height: 56-3/4" (1441 mm)
- Maximum door width: 57-11/16" (1465 mm)

#### Notes

- Install this product according to the installation instructions.
- Double studing is recommended for pivot shower door installations.
- Attach grab bars at the specified backerboard locations only.
- Studs should be positioned roughly as shown.