



Features

- Drop-in installation
- 20" bath depth
- Solid Vikrell® material
- Durable high-gloss finish
- End drain can be installed as left- or right-hand drain
- Two optional aprons available (with and without front access panel)
- Optional flange kit available for easier conversion to alcove installation. Kit provides continuous rim support and added water containment benefits compared to nonflanged alcove installation

Recommended Products/Accessories

- 71268100 Standard Bath Apron
- 76268100 Apron with Access Panel



Codes/Standards



- CSA B45.5/IAPMO Z124
- ASTM E162
- ASTM E662
- Greenguard UL 2818 - Gold
- HUD, UM Bulletin 73

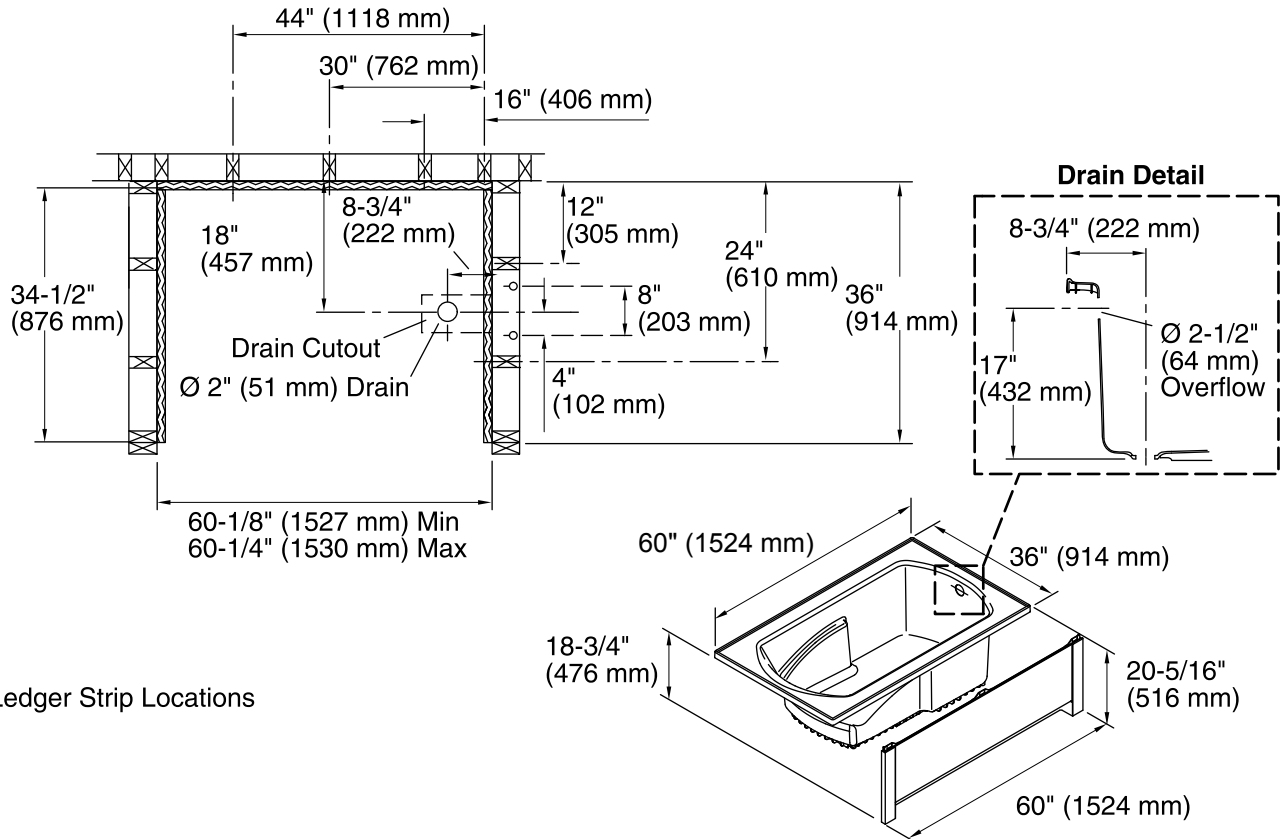
Warranty – Bathing Fixtures (and) Kitchen and Utility Sinks Made of Solid Vikrell® Material

See website for detailed warranty information.

Available Colors/Finishes

Color tiles intended for reference only.

Color	Code	Description
	0	White
	96	KOHLER Biscuit



Technical Information

All product dimensions are nominal.

- Installation: Drop-in
- Drain location: End
- Basin area, bottom: 44" x 25-1/2" (1118 mm x 648 mm)
- Basin area, top: 51" x 26-3/4" (1295 mm x 679 mm)
- Water depth: 15-1/4" (387 mm)
- Water capacity: 59 gal (223.3 L)
- Minimum flat for door: 3" (76 mm)
- Maximum door width: 60" (1524 mm)

Notes

- Install this product according to the installation instructions.
- Studs should be positioned roughly as shown.
- Double studding is recommended for pivot shower door installations.