

Neo™ Shower Head

The multi-function shower head shall have turbine impeller and four spray settings consisting of massage spray, satin spray, turbine spray, rain spray and pause setting.

The shower head shall perform within 10% of stated GPM. The shower head shall be certified with ASME A112.18.1/CSA B125.1 WaterSense and be listed with the California Energy Commission.

MODELS:

- S-5000-E2: 2.0 GPM (7.6 L/min) flow rate
- S-5000-E175: 1.75 GPM (6.6 L/min) flow rate
- S-5000-E15: 1.5 GPM (5.7 L/min) flow rate

FEATURES:

- 344 spray outlets, 4 spray patterns and pause mode
- Exhilaration Spray Technology® includes patented Speakman Reaction high performance turbine engine
- 5 setting spray face includes Inner Massage, Satin Spray, Speakman Reaction, Rain, and Pause
- Spray adjusting faceplate, with optimum spray setting when in vertical position
- Plastic body construction, with brass ball nut
- 1/2" -14 NPT female inlet
- Corrosion resistant finishes
- Coordinates with Neo Collection

STOCK FINISH:



PC BN MB

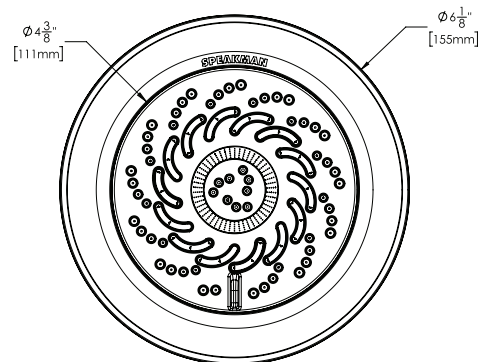
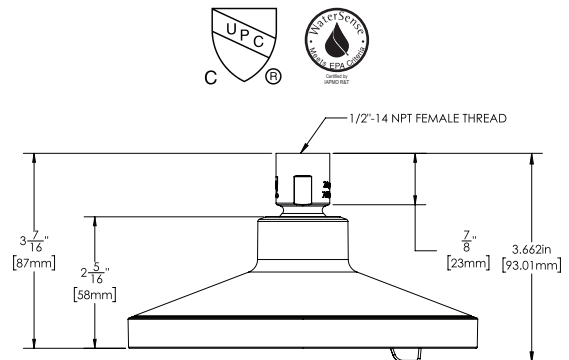
STANDARDS:

- ASME A112.18.1/CSA B125.1 certified
- WaterSense certified
- CEC (CA Energy Commission) certified, 1.75, 1.5 GPM only

WARRANTY:

Visit www.speakman.com for full product warranty information

- Limited Lifetime Warranty (residential)
- 1 Year Limited Warranty (commercial)



All dimensions are in inches (millimeters) unless otherwise specified and are subject to change without notice.

Architect/Engineer Approval Space:

P: 800-537-2107
 F: 800-977-2747
 W: WWW.SPEAKMAN.COM
 R: 02-OCTOBER 2018