

**Feature**

DZR brass union  
 Body end MNPT (ASME B1.20.1)  
 Tailpiece available:  
     FNPT (ASME B1.20.1 - NPT)  
     MNPT (ASME B1.20.1 - NPT)  
     Solder (ASME B16.22)  
     PEX (F1960)

400WOG



Working conditions:

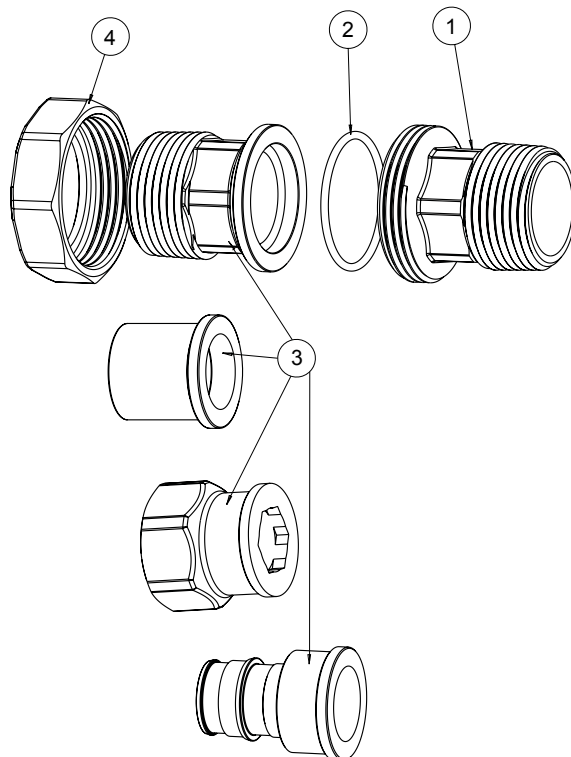
Water: from 15°F to 260°F  
 below 32°F only for water with added antifreezing fluids  
 over 212°F only for water with added anti-boiling fluids



**Material**

	Part	Material	Specification
1	Body	DZR Brass	UNS C35330
2	O-ring	EPDM Perox	-
3	Tailpiece <sup>1</sup>	DZR Brass	UNS C35330
4	Union nut	Brass	ASTM B28 C37700

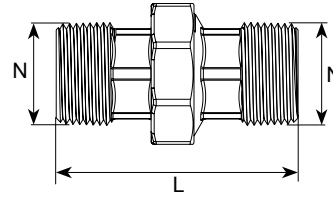
<sup>1</sup>FNPT tailpiece with integral swivel nut



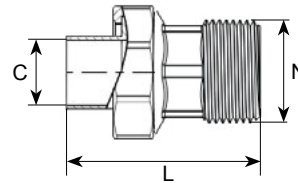
**Dimension, Weight**
**92MU-MM**

Size	N	L [in]	Weight [lb]
1/2"	1/2 - 14 NPT	2.42	0.33
3/4"	3/4 - 14 NPT	2.44	0.37
1"	1 - 11.5 NPT	3.11	0.59
1 1/4"	1 1/4 - 11.5 NPT	3.19	0.78
1 1/2"	1 1/2 - 11.5 NPT	3.74	1.48
2"	2 - 11.5 NPT	4.05	1.89

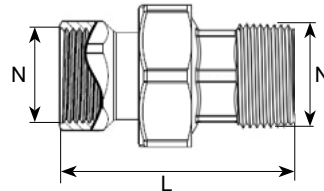
\* Male tailpiece can be down sized. Call for availability.


**92MU-MS**

Size	N	C [in]	L [in]	Weight [lb]
1/2"	1/2 - 14 NPT	0.627 - 0.631	1.88	0.29
3/4"	3/4 - 14 NPT	0.877 - 0.881	2.17	0.30
1"	1 - 11.5 NPT	1.128 - 1.131	2.87	0.54
1 1/4"	1 1/4 - 11.5 NPT	1.378 - 1.381	2.99	0.68
1 1/2"	1 1/2 - 11.5 NPT	1.628 - 1.632	3.42	1.20
2"	2 - 11.5 NPT	2.128 - 2.132	3.79	1.58


**92MU-MF**

Size	N	L [in]	Weight [lb]
1/2"	1/2 - 14 NPT	2.07	0.34
3/4"	3/4 - 14 NPT	2.50	0.35
1"	1 - 11.5 NPT	3.05	0.77
1 1/4"	1 1/4 - 11.5 NPT	3.19	0.99
1 1/2"	1 1/2 - 11.5 NPT	3.66	1.62
2"	2 - 11.5 NPT	4.09	2.77


**92MU-ME**

Size	N	D [in]	L [in]	Weight [lb]
1/2"	1/2 - 14 NPT	1/2" F1960	2.56	0.37
3/4"	3/4 - 14 NPT	3/4" F1960	2.80	0.39
1"	1 - 11.5 NPT	1" F1960	3.42	0.59

