



**Figure # 250**  
Bronze EzPRESS Swing Check Valve

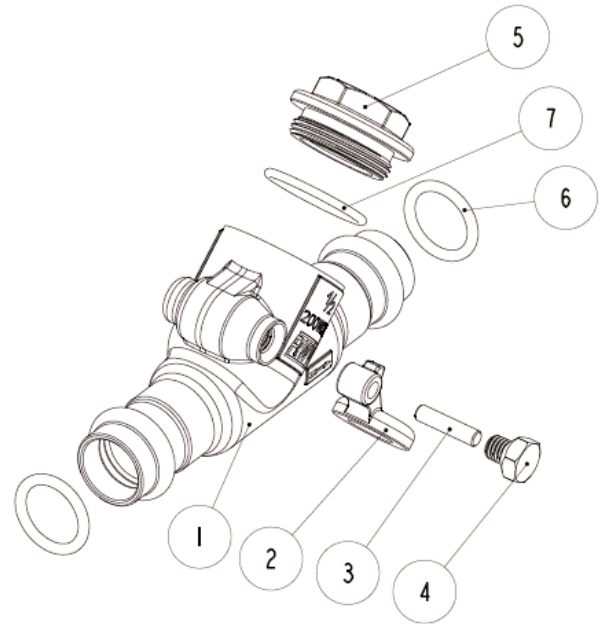
**Product Features**

- 200# WOG
- Bronze Body
- EzPress Ends
- Swing Check
- “Y” Pattern
- Brass Disc
- MSS-SP-80 Design



**Materials & Specifications**

Item	Description	Material	Specification
1	Body	Bronze	B62-C83600
2	Disk	Brass	B283 C37700
3	Hinge Pin	Brass	B124 C37700
4	Hinge Plug	Brass	B124 C37700
5	Cap	Brass	B283 C37700
6	End O-ring	EPDM Perox	NSF
7	Cap O-ring	EPDM Perox	NSF



**Dimensions & Weights (inches-lbs.)**

Size	1/2	3/4	1	1-1/4	1-1/2	2
A	4.3	5.0	5.9	6.9	8.0	9.9
H	1.5	1.9	2.2	2.6	3.0	3.8
Cv	5	9	20	36	51	92
Wt.- lbs.	.61	1.1	1.6	2.4	3.4	5.8

