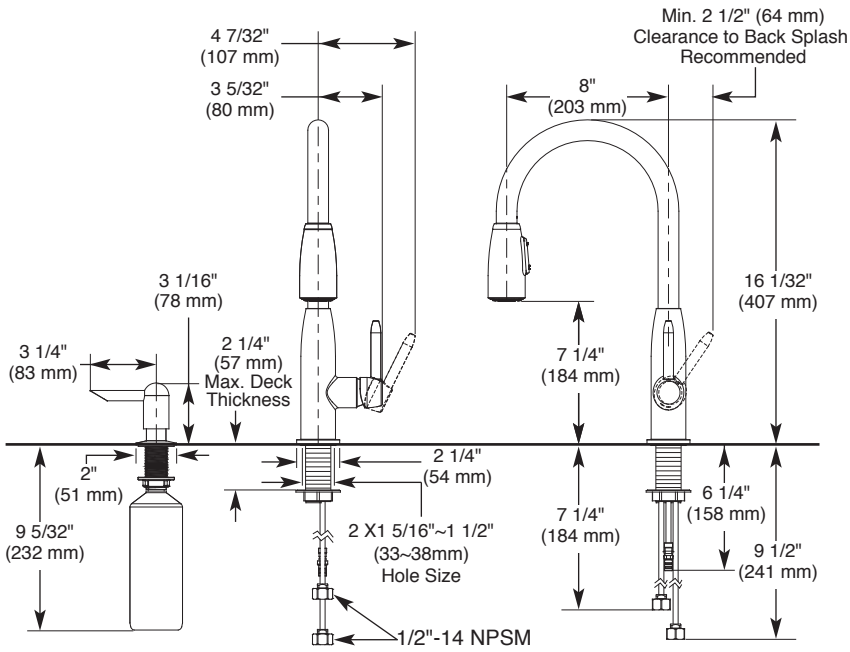
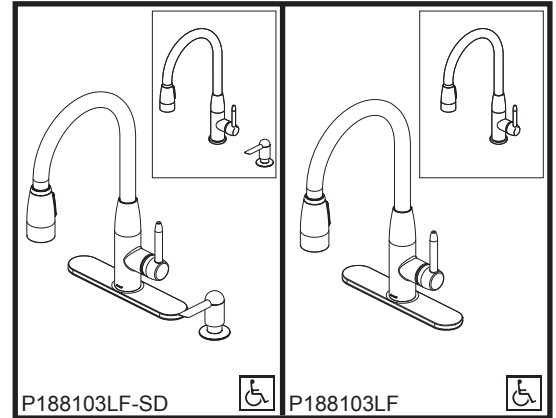
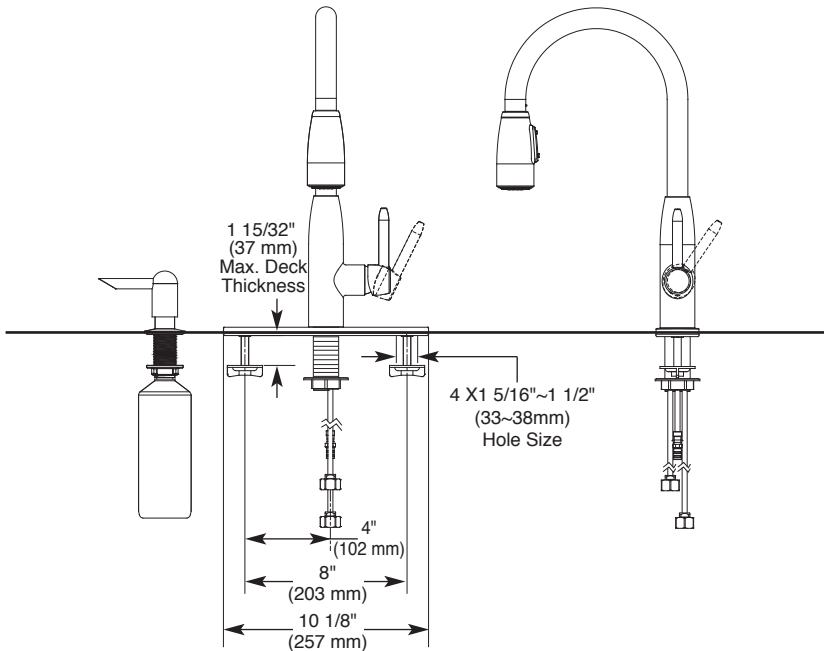


Mounting without escutcheon plate:



Mounting with escutcheon plate:



KITCHEN FAUCET

STANDARD SPECIFICATIONS

- Single handle, 2-function pull-down kitchen faucet for exposed mounting on 1, 2, 3 and 4 hole sinks.
- 16 1/32" (407 mm) high, 8" (203 mm) long spout, swings 360°.
- Pull-down wand operates in an aerated or spray mode via a toggle diverter.
- Integral check valves in hose assembly.
- Hose travels inside mounting shank so it will not interfere with deck edges.
- 1/2"-14 NPSM threaded male inlet adapters.
- Lever handle with ceramic cartridge.
- Model P188103LF-SD includes soap dispenser

WARRANTY

- Lifetime limited warranty on parts (other than electronic parts and batteries) and finishes; or, for commercial users, for 5 years from the date of purchase.
- 5 year limited warranty on electronic parts (other than batteries); or for commercial users, for 1 year from the date of purchase. No warranty is provided on batteries.

COMPLIES WITH

- ASME A112.18.1/CSA B125.1
- Indicates compliance to ICC/ANSI A117.1
- Verified compliant with 0.25% weighted average Pb content regulations.

