

EUROPEAN COLLECTION



72-INCH WIDE MODEL

Vitoria (Self-Rimming)

Unit Dimensions

72" wide x 42-3/4" deep x 23-1/2" high (24-1/2" w. neck rest)

Unit Features

- Vacuum Formed Acrylic
- 2" Dia. Side Drain (see reverse side for location)
- 2-1/2" Dia. Overflow (see reverse side for location)
- Pre-Leveled Fiberglass Base System
- Textured Floor Pattern

Special Notes

- Whirlpool System Available (see reverse side for details)
- Air System Available (see reverse side for details)
- Combination System Available (see reverse side for details)
- UL Listed Whirlpool & Air Systems

Unit / System Order Number

Acrylic: HG-880 / 0ND (soaking tub)
HG-880 / 6J (EuroFlo System)
HG-880 / AR3 (EuroAire System)
HG-880 / 6J-AR3 (Combination System)

System Trim

Standard 6J Trim (order code): White trim on White unit (WHT) - Bone trim on Bone unit (BON) - Biscuit trim on Biscuit unit (BSC) - Chrome trim (CHR)

Order Number / Description

6J: *EuroFlo System* includes: 6-Adjustable jets, 6-jet Back Jet Array w/ manual control, Aromatherapy diffuser, Chromotherapy light, low water sensor, twin air controls, electronic system control w/ timer, and 13.5 amp pump/motor.

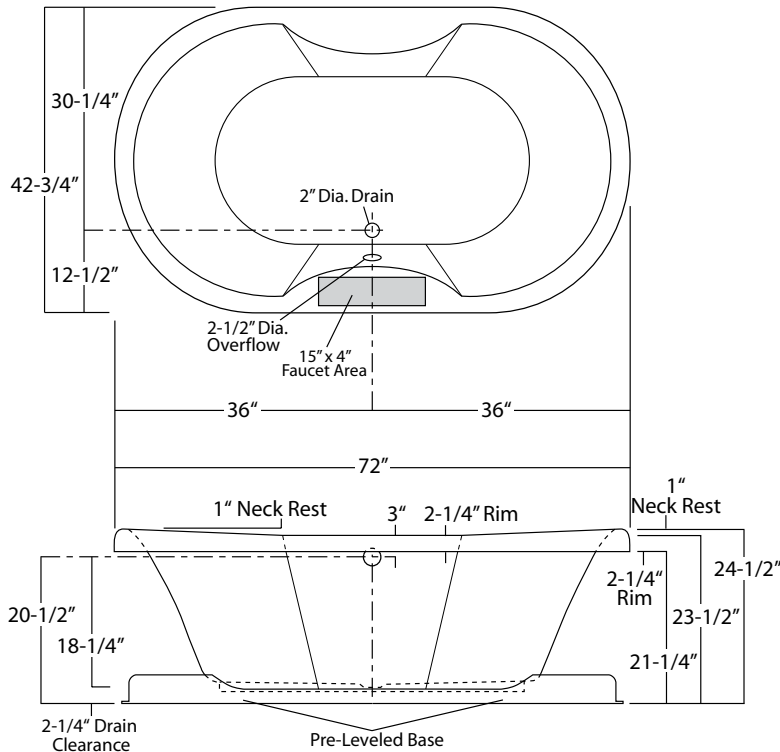
Options: In-Line Heater (1*) (order: ILH)
 Ozone Generator (1*) (order: OZG)
 Electronic Back-Jet (1*, 2*, 4*) (order: BJA-ES)
 Trim Upgrade (1*)
 Brushed (satin) Nickel (order: 6J-SNK)
 Alternate Pump/Blower Location (1*) (order: MP/B)

Order Number / Description

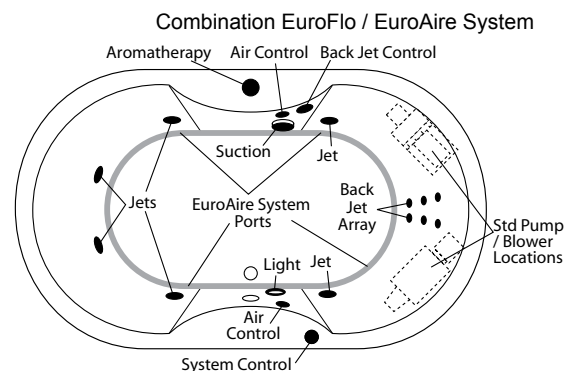
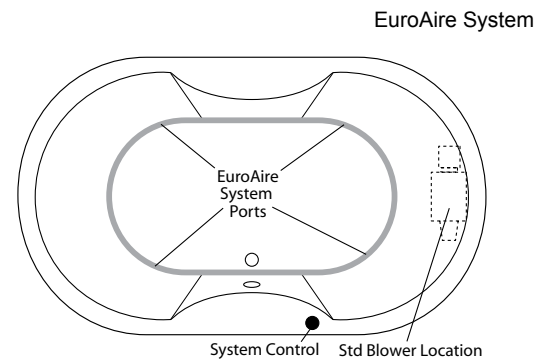
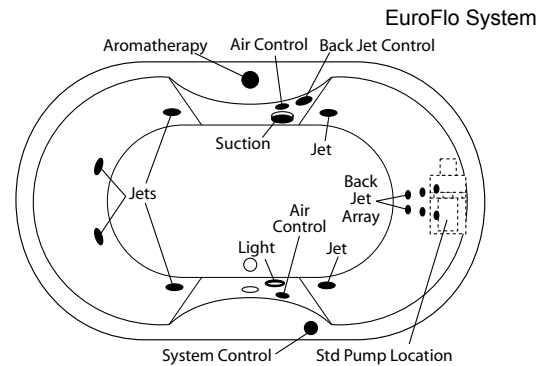
AR3: *EuroAire System* (3*) includes: (59) Perimeter air ports, electronic system control, and a 12.0 amp, 600-watt blower with ceramic heater.

6J-AR3: *EuroFlo & EuroAire System* (3*) on a single unit with an enhanced electronic control.

Notes: (1*) Factory installed options
 (2*) Includes system control upgrade
 (3*) Available on acrylic models only
 (4*) Upgrade from manual back-jet array



Sump Dimen: 50" long x 28" wide x 20-5/8" deep
 Sump Capacity: 88 gal. (unoccupied - to overflow)
 Whirlpool Operating: 61 gal.



Photographic images may include optional components and appear different than actual product.
 Dimensions shown are maximum. Due to the nature of the materials involved, actual unit dimensions can vary (tolerances: +0 / -3/8 inch).
 Oasis reserves the right to modify or discontinue product and/or associated equipment without prior written or verbal notification or obligation.