

# JACOBEAN

## Pull-Down Prep Sink / Bar Faucet

# 2470-5223



### Features

- Solid brass construction
- Euro-motion ceramic disc 35 mm valve cartridge
- Independent rotational and pivoting lever handle elements
- Two-function, toggle-control spray engine with solid brass housing
- Magnetic docking system secures spray engine to spout
- Pivoting-ball spray engine inlet fitting for enhanced directional control
- 8.80" (22.4 cm) spout height at outlet
- 6.55" (16.6 cm) spout reach (c-c)
- ADA Complaint (Handles Only)
- 1.8 GPM (6.8 LPM) Max

### Codes / Standards Compliance

Meets or exceeds the following at date of manufacture:

- ASME A112.18.1/CSA B125.1
- IAMPO/cUPC
- NSF/ANSI/CAN 61, SECTION 9
- NSF/ANSI 372
- IPC
- ADA & ICC/ANSI A117.1 (Handle Only)
- Energy Policy Act of 1992
- California Energy Commission
- ASME A112.18.3 (Back Flow)
- All applicable US Federal and State material regulations

### Colors / Finishes

- 10B: Oil Rubbed Bronze
- 15: Polished Nickel
- 15S: Satin Nickel - PVD
- 26: Polished Chrome
- Other: Refer to the Newport Brass catalog for additional color/finish options.



### Specified Model

| Model     | Description                      | Colors   Finishes  |
|-----------|----------------------------------|--|
| 2470-5223 | Pull-Down Prep Sink / Bar Faucet | <input type="checkbox"/> 10B <input type="checkbox"/> 15 <input type="checkbox"/> 15S <input type="checkbox"/> 26 <input type="checkbox"/> Other |

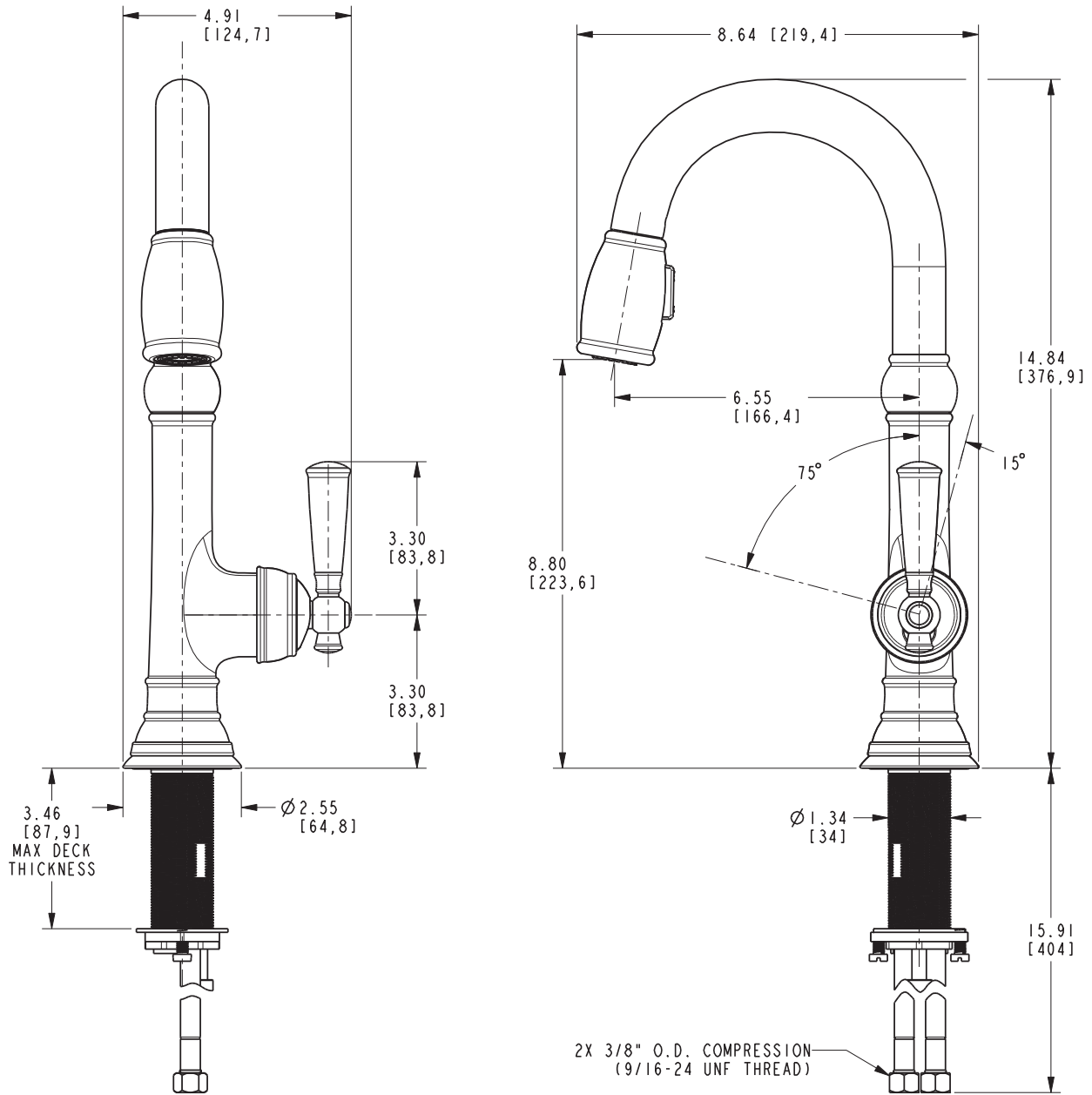
### Product Specification Add "Color / Finish" suffix to Model number, below.

The Pull-down Prep Sink / Bar Faucet shall be made of solid brass construction and incorporate a Euro-motion ceramic disc 35 mm valve cartridge. Faucet shall incorporate a swivel spout assembly with side-mounted lever handle. Lever handle shall feature independent rotational and pivoting handle elements for dynamic stabilization. Faucet shall incorporate a two-function, toggle-control spray engine with solid brass housing and a magnetic docking system securing the spray engine to the spout. Faucet shall feature a pivoting-ball inlet connection to the spray engine for enhanced directional spray control. Product shall incorporate an 8.80" (22.4 cm) spout height at outlet and a 6.55" (16.6 cm) spout reach (c-c). Faucet shall have a 1.8 gallons (6.8 liters) per minute maximum flow rate and accommodate single hole configurations. Pull-down Prep Sink / Bar Faucet shall be Newport Brass Model 2470-5223/\_\_\_\_.

# 2470-5223

## PRODUCT DIMENSIONS (Units are in inches)

Product Dimensions are provided for reference only. For specific product installation guidelines, please reference the Installation Instructions of the product being installed.



### Jacobean Pull-Down Prep Sink / Bar Faucet 2470-5223

**NEWPORT BRASS**  
Flawless Beauty. From Faucet to Finish.™