

# MALVINA

## Features

- Solid brass construction
- Complements Malvina product series
- Traditional styling
- Cross Handle is ADA compliant when used with Newport Brass valves
- Intended for use with:
  - Bidets - Balanced Pressure Shower - Roman Tub Faucets
  - Shower Control Valves and Diverters - Wide Spread Faucets
  - Wall Mounted Faucets

## Cross Handle 3-581



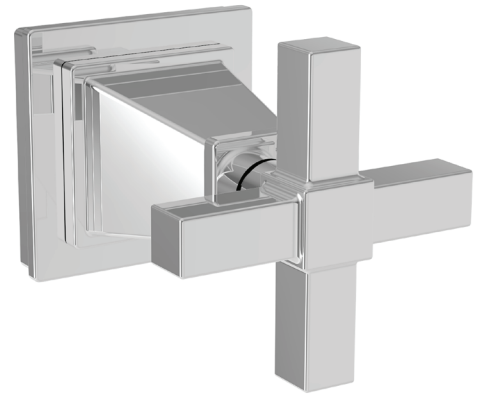
## Codes / Standards Compliance

Meets or exceeds the following at date of manufacture:

- ASME A112.18.1/CSA B125.1
- ADA
- All applicable US Federal and State material regulations

## Colors / Finishes

- 10B: Oil Rubbed Bronze
- 15: Polished Nickel
- 15S: Satin Nickel - PVD
- 26: Polished Chrome
- Other: Refer to the Newport Brass catalog for additional color/finish options.



## Specified Model

Model	Description	Colors   Finishes
3-581	Cross Handle	<input type="checkbox"/> 10B <input type="checkbox"/> 15 <input type="checkbox"/> 15S <input type="checkbox"/> 26 <input type="checkbox"/> Other

## Product Specification: Add "Color / Finish" suffix to Model number, below.

Trim components shall be of solid brass construction. Trim shall include Escutcheon and Handle. Handle assemblies can be used as part of a shower system specification for (a) shower control valves and diverters BUT ALSO can be ordered as replacement parts for (b) widespread faucets (c) wall mounted faucets (d) Roman Tub faucets and (e) BP shower handle replacements for nearly all collections (except Kiara, for example). Cross Handle with Escutcheon Trim shall be Newport Brass Model 3-581/\_\_\_\_ .

# 3-581

## PRODUCT DIMENSIONS *(Units are in inches)*

