

4. Place Shower Floor directly on sub-floor or slab, level in both directions (Place level along top edge of tile flange) do not use floor area which is tapered for water drainage.

HINT: You may want to install Shower Floor in a bed of gypsum cement or panel/floor adhesive for additional support.

5. Seal "sanitary waste" by installing Drain Seal around pipe, tamp in place to bottom of drain body using a 1/4" (inch) diameter rod. Make sure top of drain seal is even with top of 2" (inch) waste pipe as shown in sectional view and in full compliance with local code regulations pertaining to below floor waste connections.

6. You have been furnished with six (6) mounting clips to secure the Shower Floor, do not drill holes in Shower Floor. Position two (2) clips per side and back, resting clip on top edge of tiling flange and securely fastening to stud or bracing with screws provided. See Fig. 1.

CARE AND CLEANING

The surface of your Molded Fiberglass Shower Floor may be cleaned with a mild soap solution in warm water using a soft cloth. For stubborn stains use "Soft -Scrub" by Clorox or Lysol "Tub & Tile Cleaner" or a powdered detergent such as "Spic-n-Span".

Never use abrasive scouring powder or steel wool pads as they will scratch the surface.

WARNING:

DO NOT use spray-on cleaners that require daily use without immediately rinsing to stop chemical reaction. Damage will result and void warranty.

AVAILABLE DRAIN ASSEMBLIES

PN 60.300A1 1/2" DRAIN ADAPTOR KIT COMPLETE - WHITE
 PN 60.300A-BN1 1/2" DRAIN ADAPTOR KIT COMPLETE - BONE
 PN 42.304A2" PVC - SOLVENT WELD CONNECTION - PVC PIPE ONLY
 PN 42.317A2" PVC - ELASTOMERIC SEAL - ABS, PVC OR IRON (SCH. 40) ONLY
 PN 82.400A1 1/2" PVC - 90 DEG. WASTE CUP - PVC (SCH. 40) PIPE - SOLVENT WELD
 PN 42.400A2" PVC - 90 DEG WASTE CUP - PVC (SCH. 40) PIPE - SOLVENT WELD

ALL DRAIN SANITARY WASTE CONNECTIONS MUST BE IN FULL COMPLIANCE WITH LOCAL REQUIREMENTS.

OPTIONAL ASSEMBLIES

PN 360.100ENTRY RAMP (WHITE)
 PN 360.100BN.....ENTRY RAMP (BONE)
 PN 360.210CALLAPSIBLE WATER BARRIER KIT

FREQUENTLY ASKED QUESTIONS

Q. Why is there no threshold (curb)?

A. ADA does not allow one.

Q. How do I keep water in the base?

A. The MUSTEE model 360 Shower Floor is designed with the maximum amount of floor taper allowed by ADA. Since ADA does not allow a threshold (curb) MUSTEE offers an additional Collapsible Water Barrier Kit to help retain water without interfering with wheelchair access.

Q. Can I mount a door on the unit?

A. MUSTEE does not offer a door, but there are door manufacturers who have "barrier-free" enclosures available which meet ADA requirements.

Quality Plumbing Products

E.L. MUSTEE & SONS, INC.

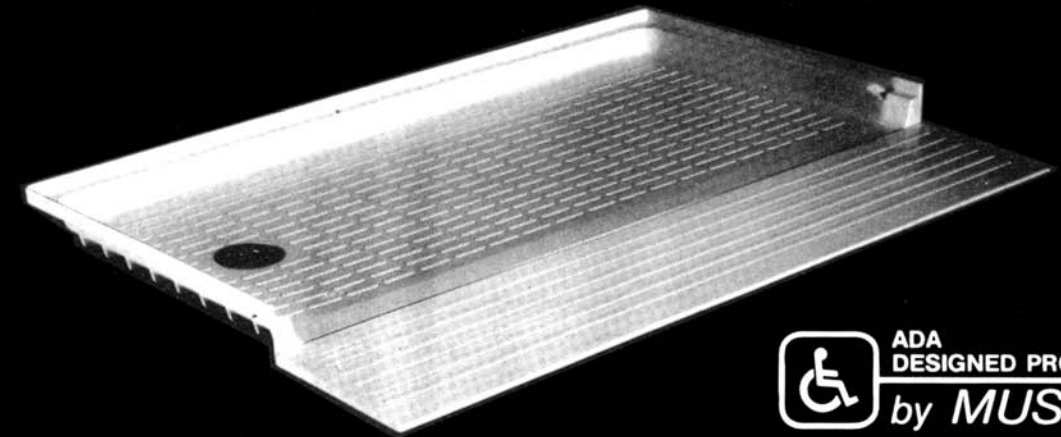
5431 West 164th Street • Brook Park, Ohio 44142

SI-171 (11•11)

MUSTEE BARRIER/FREE SHOWER FLOOR

INSTALLATION INSTRUCTIONS

DURABASE® MODEL 360



MODEL 360L Shown
w/optional Entry Ramp

• FITS INTO STANDARD 5 FT. BATHTUB ALCOVE •

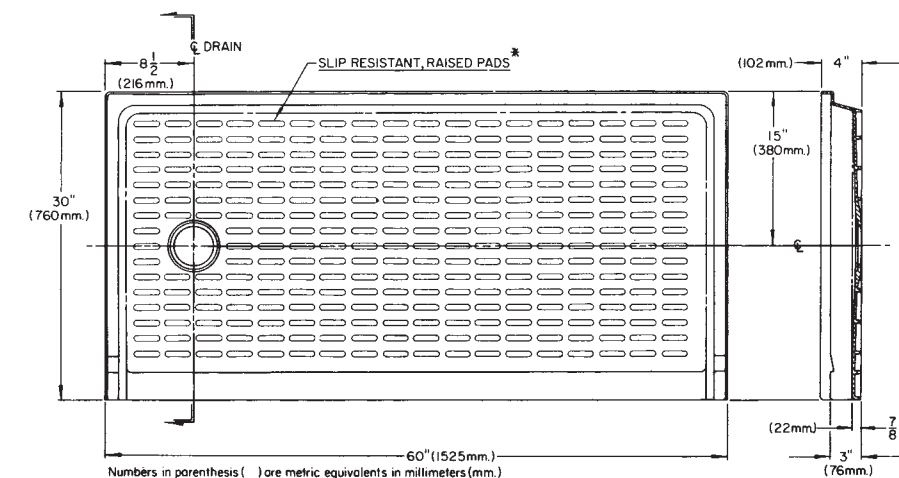
Meets specifications of the "Americans with Disabilities Act" - Jan. 1992

"Code of Federal Regulations - Title 28" - July 1997

MODEL: 360RRight Hand Drain - White
 360RBNRight Hand Drain - Bone
 360LLeft Hand Drain - White
 360LBNLeft Hand Drain - Bone

DRAIN IS NOT FURNISHED
SEE "AVAILABLE DRAIN
ASSEMBLIES" ON BACK COVER

ROUGH-IN DIMENSIONS:



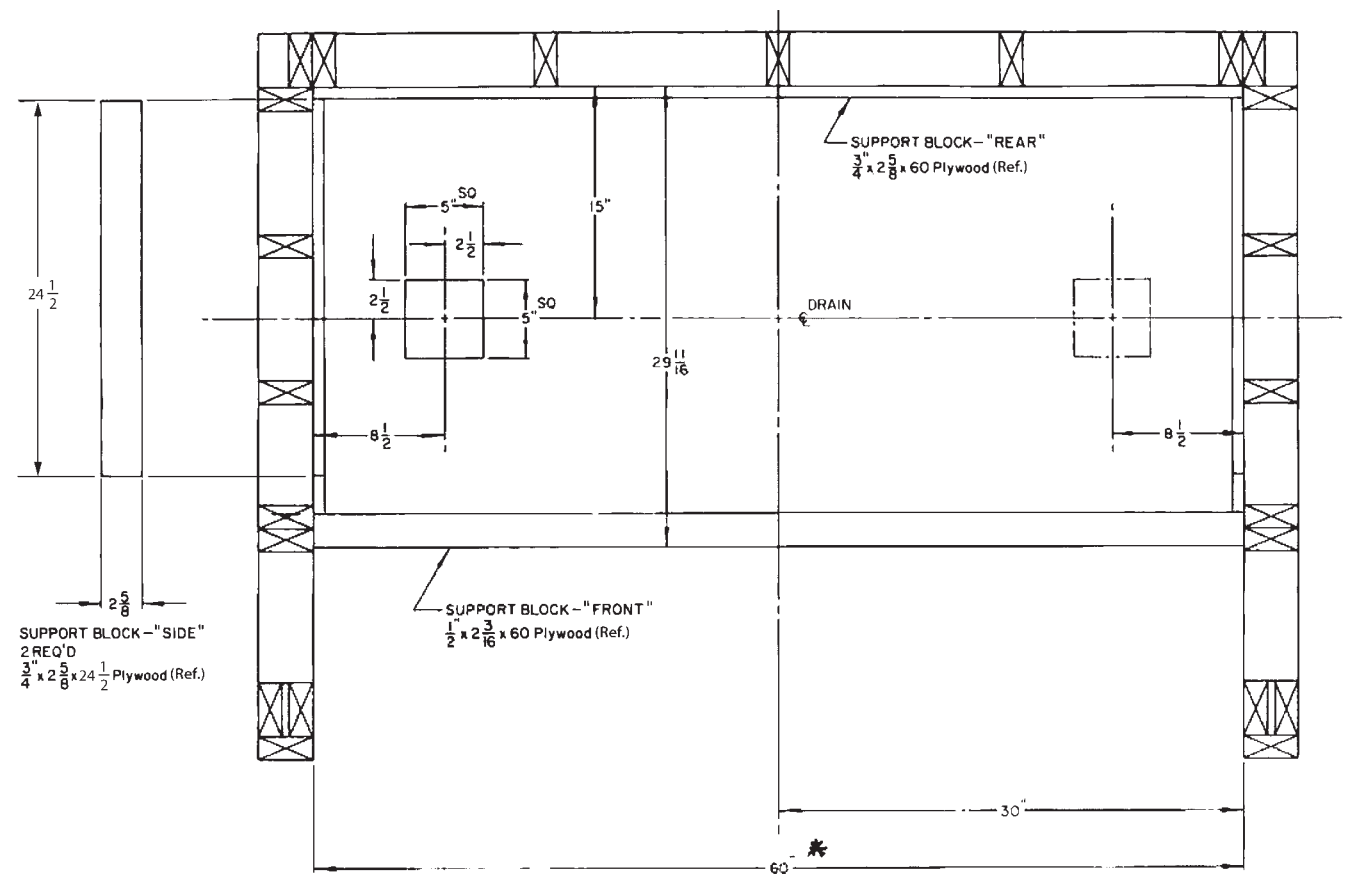
Numbers in parenthesis () are metric equivalents in millimeters (mm.)

* We recommend that shower compartments be equipped with support handrails that comply with ANSI - A117.1 requirements.

SI-171 (11•11)

ROUGH-IN FRAMING-NEW CONSTRUCTION*

NOTE: THIS DRAWING REFERS TO INSTALLING MUSTEE/PN 42.317A DRAIN ASSEMBLY
DRAIN ASSEMBLY IS NOT FURNISHED - SEE "AVAILABLE DRAIN ASSEMBLYS" BACK COVER



*Will require extending each side approximately 1" (inch) with Flange Kit to comply with revised interior of 60" per ANSI - A117.1 - 2003

After you have determined where your Mustee "BARRIER-FREE" Shower Floor will be located, you will have to construct the appropriate alcove. Be sure to plan your "rough" plumbing requirements (drain-venting-supply lines) at this time. Also any additional bracing or reinforcement for support handrails or seats. Refer to "Rough-in Framing" illustration for suggested plan, although each installation will vary as determined by individual requirements. Measure actual Shower Floor before constructing alcove.

With alcove constructed and the "rough" plumbing requirements completed, you are now ready to install the Mustee "BARRIER-FREE" Shower Floor.

RETROFIT-BATHTUB REPLACEMENT

Remove original bathtub, remove and replace "bathtub" style control/diverter valve with "shower stall" type. Inspect sub-floor for water damage and replace if necessary. Follow steps, 1 through 6.

SHOWER FLOOR INSTALLATION

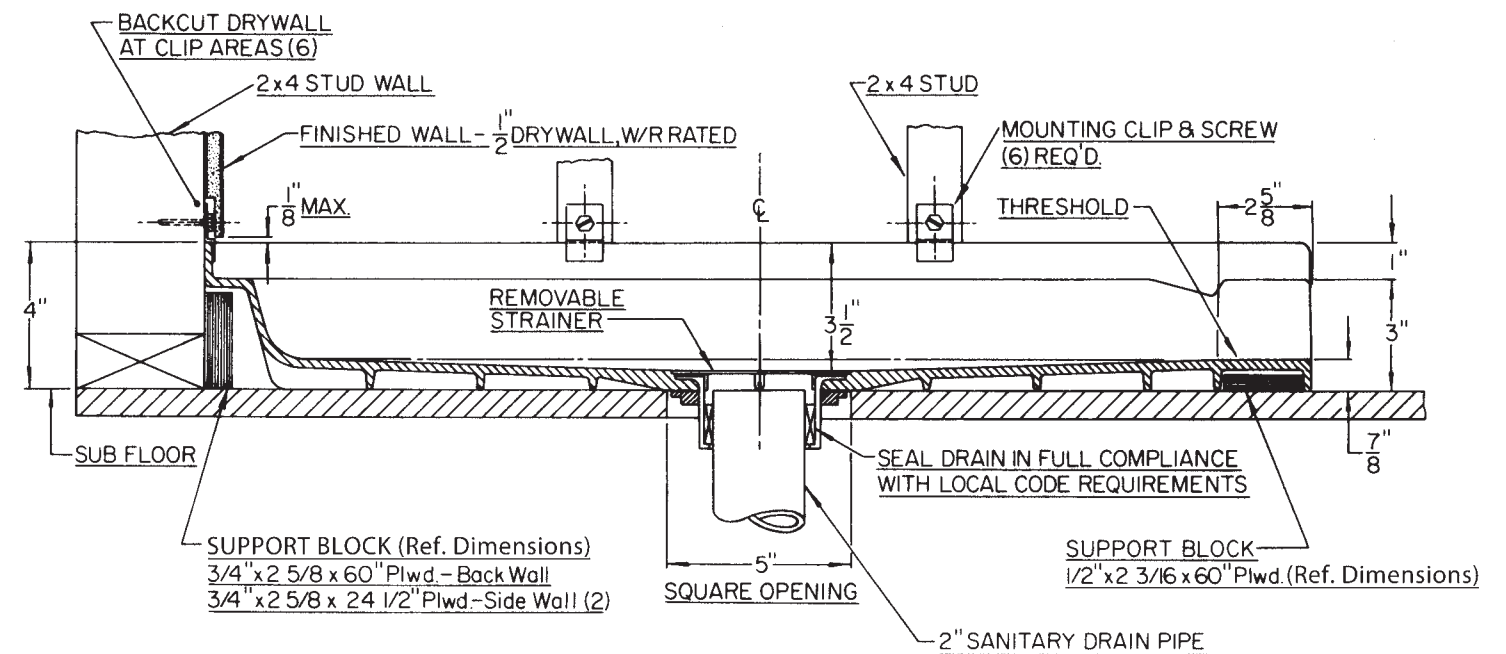


FIG. 1.

1. The Shower Floor must not be installed on exposed floor joists, if there is no sub-floor at the desired location, a one-piece section of sheathing (CDX) the same thickness as the surrounding sub-floor must be securely fastened in position, so that the Shower Floor is fully supported.

HINT: To reduce "creaking or squeaks" we suggest that deck type screws (3" min. length) along with adhesive, be used to secure the sub-floor to the joists-especially under the Shower Floor and Entry Ramp (if so equipped). Fig. 1.

2. As specified in the "ROUGH-IN FRAMING" illustration, a 5" (inch) square opening in the sub-floor or slab will be required, located on the center line of the Shower Floor-8 1/2" from either right or left side. Drain connection requires 2" (inch) DWV waste pipe--Note: top of waste pipe must be level with top of sub-flooring.

3. Assemble Drain (not furnished) to Shower Floor-see illustration, Fig. 2. Use all washers provided, do not use any putty or thread sealant on either drain body or locknut. Hand tighten locknut, then wrench an additional 3/4 turn maximum.

MUSTEE/PN 42.317A DRAIN ASSEMBLY

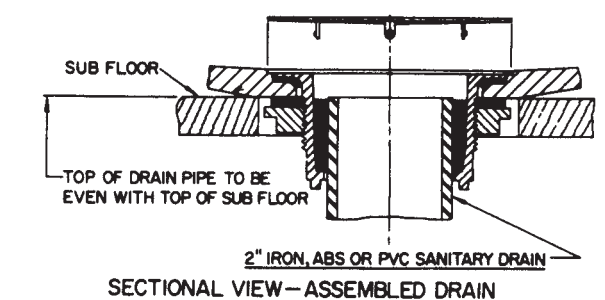


FIG 2.