

# Iso™ Technical Specification

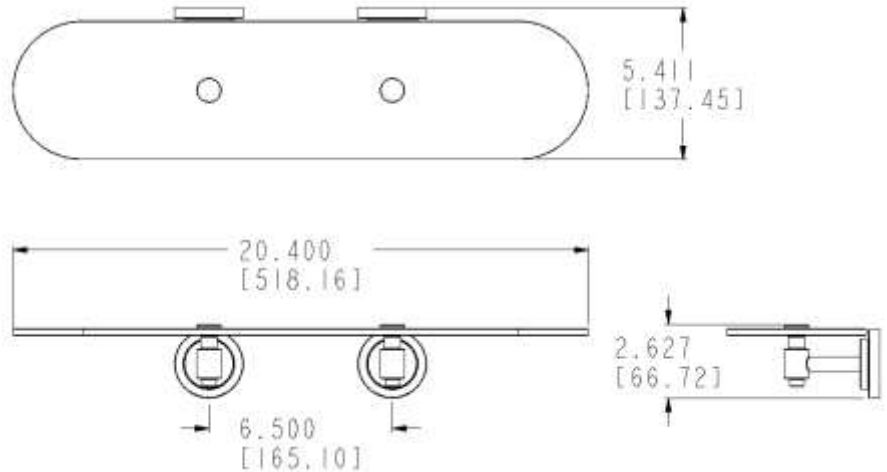
## Glass Shelf

## DN0790

### Stock Numbers:

- DN0790CH – Glass Shelf  
Chrome Finish
- DN0790BN – Glass Shelf  
Brushed Nickel Finish

### Dimensions:



### Materials:

Glass Shelf posts are constructed of zinc. Shelf is tempered glass.

### Installation Instructions:

Directions below are for installation into drywall. If installing product into a stud, use the wood screws and washers provided only.

1. Position the mounting template on the wall in the desired location.
2. Using a level, align the template and tape it to the wall.
3. Drill two 5/16" holes as indicated on the template.
4. Remove the template from the wall.
5. Fold ends of the plastic toggle together and insert into each hole in the wall.
6. Lightly tap anchors until flush with the wall.
7. One at a time, insert plastic pin into each of the anchors and lightly tap to activate anchor. Remove pin and repeat on all anchors.
8. Remove mounting posts from the product assemblies by loosening each setscrew.
9. Place the mounting plate on the wall over the installed wall anchors with "UP" facing you.
10. Insert screws through the mounting plate into the anchors. Tighten the screws.
11. Unscrew the top accent cap from both assemblies. Reassemble with glass shelf between both washers and finish by screwing top accent cap back on.
12. Place assembly over the mounting posts with setscrews facing down. Tighten both setscrews.

### Cleaning Instructions:

To preserve the fine finish of this product, clean only with a soft damp cloth. Dry well. Do not use commercial or abrasive cleaners.

**Stock Number:** \_\_\_\_\_ **Glass Shelf**  
**By Creative Specialties**



25300 AL MOEN DRIVE • NORTH OLMSTED, OH 44070  
CORPORATE HEADQUARTERS: (800) 321-8809 • FAX: (800) 848-6636  
INTERNATIONAL: (440) 962-2000 • FAX: (440) 962-2726  
CUSTOMER SERVICE (USA): 800-882-0116 • FAX: (888) 379-2720  
WWW.MOEN.COM

©Copyright Creative Specialties International

Literature #BA1404