

# Thermal Expansion Tanks, Floor

## Product Specifications



### PRODUCT FEATURES

- For use in Closed, Potable Water Systems to Control Pressure Build-up
- Stainless Steel Connection
- Heavy Duty Butyl Diaphragm
- Polypropylene Tank Liner
- Projection Welded Air Valve



✓ To Submit	Part No.	Description	Size
	MLST25V	Floor Thermal Expansion Tank, 1 Year Warranty	10.3 gallon
	MLST30V	Floor Thermal Expansion Tank, 1 Year Warranty	14.0 gallon
	MLST42V	Floor Thermal Expansion Tank, 1 Year Warranty	20.0 gallon
	MLST60V	Floor Thermal Expansion Tank, 1 Year Warranty	34.0 gallon

**Warranty:** See warranty information for more details.

All dimensions listed are nominal. MAINLINE® reserves the right to make product and material changes at any time without notice.



**Contact your sales representative for more information or visit our website at [mainlinecollection.com](http://mainlinecollection.com)**

# Thermal Expansion Tanks, Floor

## Product Specifications



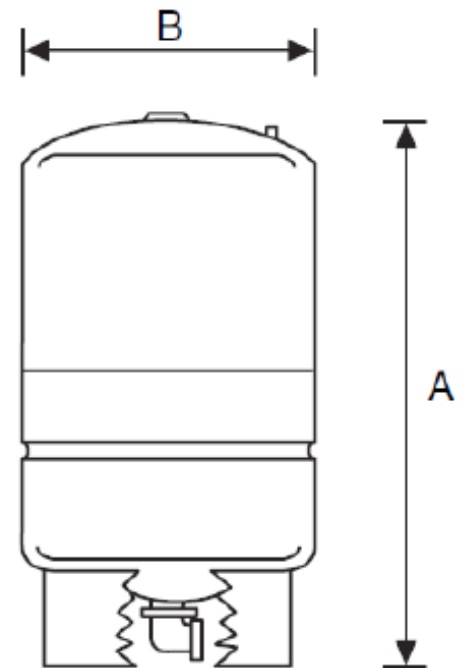
**MAINLINE®**

Part	Lit	Gal	Max Accept Factor	A Height		B Diameter		Sys Conn. (NPTF)	Ship Wt.	
				cm	ins	cm	ins		Ins	Kg
MLST25V	39	10.3	1.00	483	19	381	15	3/4	10.0	23
MLST30V	53	14.0	0.81	610	24	381	15	3/4	11.0	23
MLST42V	76	20.0	0.57	813	32	381	15	3/4	15.0	33
MLST60V	129	34.0	1.00	762	30	559	22	1-1/4	28.0	61

All dimensions and weights are approximate

### SPECIFICATIONS

Description	Standard Factory Pre-Charge	System Connection	Liner	Diaphragm
Standard Construction	40 PSIG (2.8 bar)	Stainless Steel	Polypropylene	Butyl



### MAX OPERATING CONDITIONS

Operating Temperature	Working Pressure
200°F (93°C)	150 PSIG (10.3 BAR)

Complies with Low Lead Plumbing Law

**Warranty:** See warranty information for more details.

All dimensions listed are nominal. MAINLINE® reserves the right to make product and material changes at any time without notice.



Contact your sales representative for more information or visit our website at [mainlinecollection.com](http://mainlinecollection.com)

Revised 11-2020