

### Features

- Designed in collaboration with Studio McGee
- Two lever handles offer separate control of hot and cold water
- 7" (178 mm) spout reach
- 1.2 gpm (4.5 lpm) maximum flow rate at 60 psi (4.14 bar)
- Coordinates with other products in the Castia collection
- Requires valve (sold separately)

### Material

- Premium material construction for durability and reliability
- KOHLER® finishes resist corrosion and tarnishing

### Installation

- Wall-mount

### Required Products/Accessories

For wall-mount installation  
K-410-K Wall-mount Valve

### Adapters, Rough-in and Extension Kits

1006721 Range: 2-1/2" (64 mm) -  
3-1/2" (89 mm)

### Recommended Products/Accessories

K-23726 Drain treatment  
K-23723 Faucet cleaner  
K-35925 18" towel bar  
K-35926 24" towel bar  
K-35927 Double robe hook  
K-35928 Towel ring  
K-35929 Pivoting toilet paper holder

### Optional Products/Accessories

K-25322 Clicker drain with overflow  
K-7107 Decorative Drain  
K-7108 Decorative Drain  
K-7129 Drain  
K-7129-A Drain  
1008176 Handle Kit - Deep Rough-In



ADA	CSA B651	OBC
-----	----------	-----

### Codes/Standards

ASME A112.18.1/CSA B125.1  
NSF/ANSI/CAN 61  
NSF/ANSI/CAN 372  
All applicable US Federal and State material regulations  
DOE - Energy Policy Act 1992  
EPA WaterSense®  
California Energy Commission (CEC)  
ADA  
ICC/ANSI A117.1  
CSA B651  
OBC

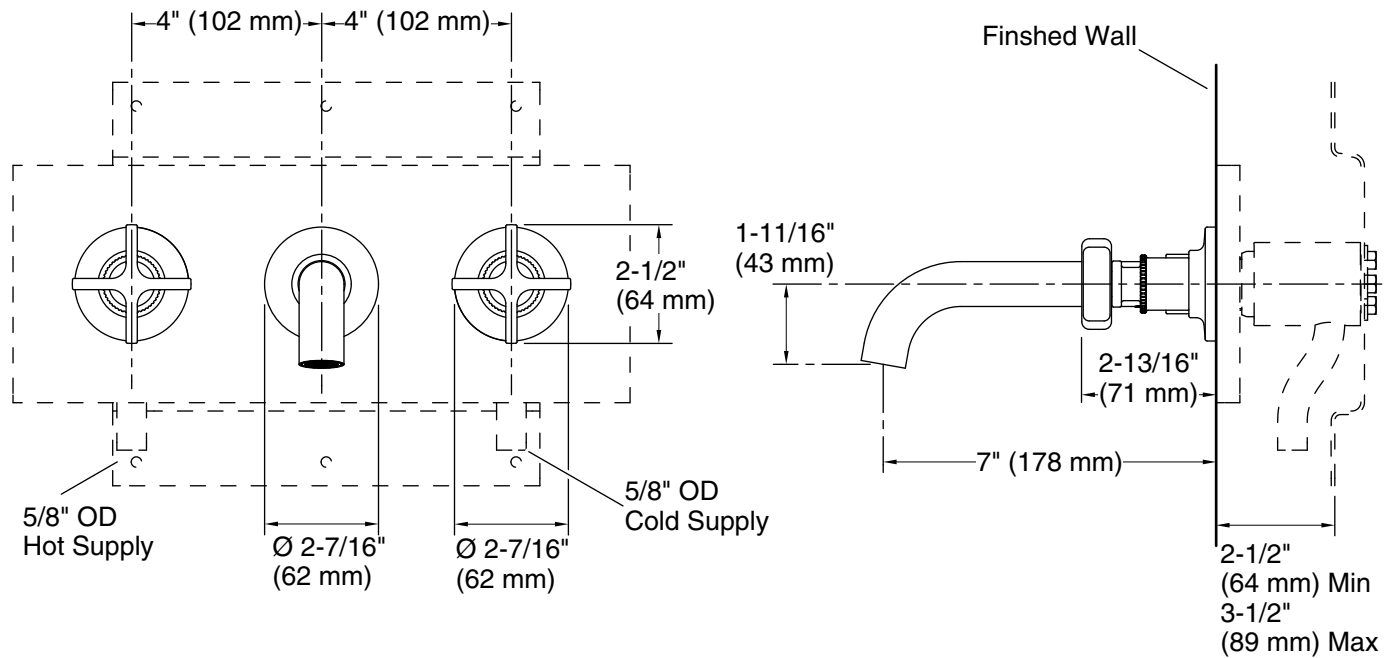
### KOHLER® Faucet Lifetime Limited Warranty

See website for detailed warranty information.

### Available Colors/Finishes

*Color tiles intended for reference only.*

Color	Code	Description
	CP	Polished Chrome
	SN	Vibrant® Polished Nickel
	BN	Vibrant® Brushed Nickel
	BL	Matte Black
	2MB	Vibrant® Brushed Moderne



### Technical Information

All product dimensions are nominal.

#### Faucet:

Flow rate: 1.2 gal/min (4.5 l/min)

Pressure: 60 psi (4.1 bar)

Drain included: No

Drain with overflow: No

#### Spout:

Spout reach: 7" (177 mm)

### Notes

Install this product according to the installation instructions.

ADA, OBC, CSA B651 compliant when installed to the specific requirements of these regulations.