

Features

- Powered by the Kohler hybrid energy system.
- Required for Memoirs® wall-mount Touchless faucets.
- 0.5 gal/min (1.9 l/min) flow rate.
- On demand on and off . 30 second maximum cycle time.
- Ideal for use with KOHLER Vessels.
- Low-lead (SDWA) compliant

Material

- Brass construction.

Technology

- Insight™ adaptive infrared technology.
- Includes one 3.6V size C Hybrid energy cell.

Installation

- Adjustable sensor/spout distance.
- Easy installation. Hybrid battery powered. It does not require AC connection.

Recommended Products/Accessories

K-T11838 Wall-Mount Bathroom Sink Faucet



ADA

CSA B651

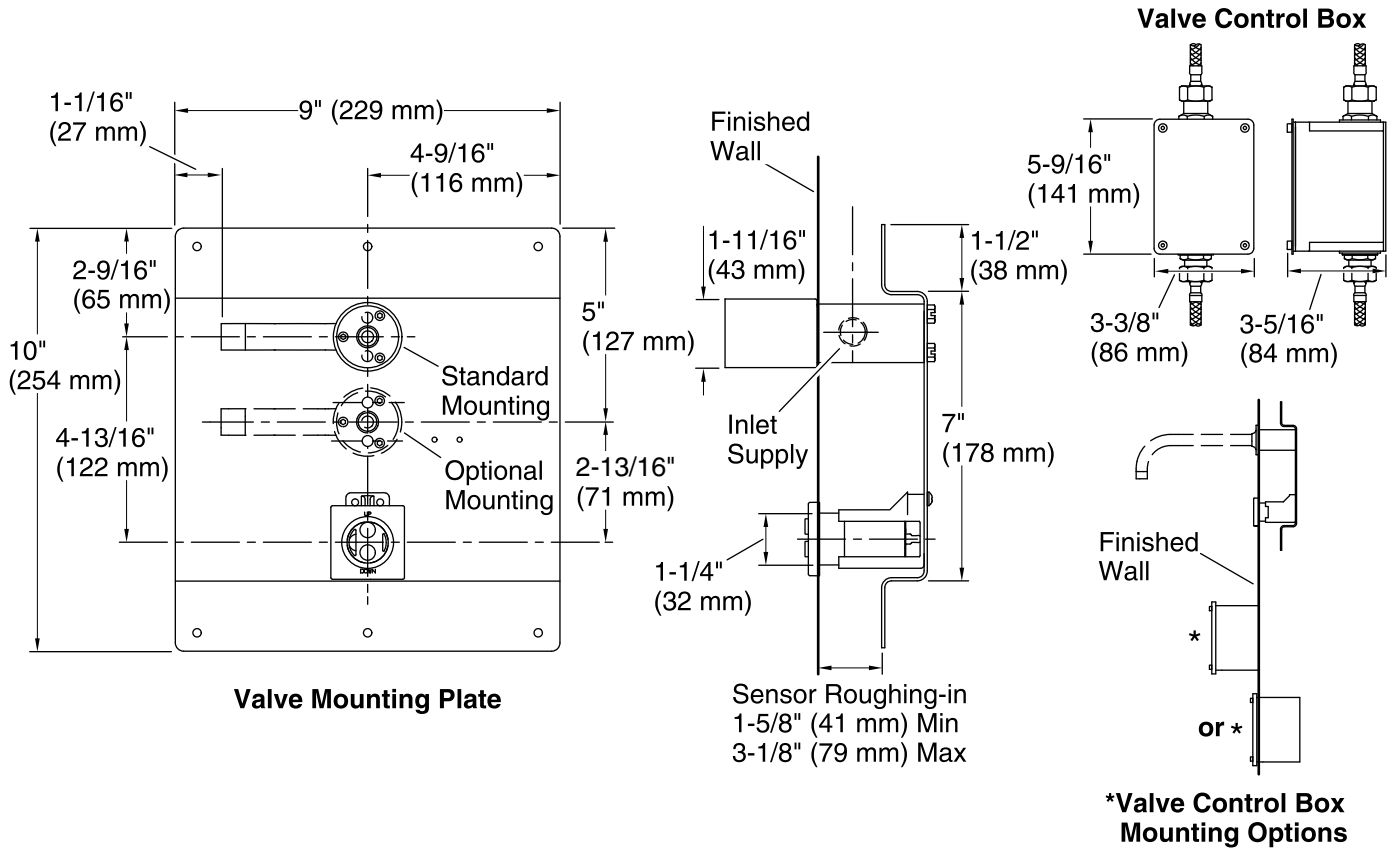
OBC

Codes/Standards

ASME A112.18.1/CSA B125.1
NSF/ANSI 372
ADA
ICC/ANSI A117.1
CSA B651
OBC

KOHLER® One-Year Limited Warranty

See website for detailed warranty information.



Technical Information

All product dimensions are nominal.

Power source: Hybrid Energy Cell, included

Faucet:

Flow rate: 0.5 gal/min (1.9 l/min)

Pressure: 45 psi (3.1 bar)

Notes

Install this product according to the installation instructions.

Reference the installation instructions for specific framing information.

For use with faucet trim K-T11838.

Valve control box can be installed in the wall or on the wall.

ADA, OBC, CSA B651 compliant when installed to the specific requirements of these regulations.