

Installation and Care Guide

Bath and Shower Valve

Français, page "Français-1"
Español, página "Español-1"

1128093-2-F

THE BOLD LOOK
OF **KOHLER**®

IMPORTANT INSTRUCTIONS

READ AND SAVE FOR THE CONSUMER



WARNING: Risk of scalding or other severe injury.

- Before completing installation, the installer must set the maximum water temperature setting of this valve to minimize the risks associated with scalding hazards according to ASTM F 444.
- Do not install a shut-off device on either outlet of this valve. The installation of any such device may create a cross-flow condition at the valve and affect the water temperature.
- Factors that change the temperature of the water supplied to the valve, such as seasonal water temperature changes, and water heater replacement or servicing, will change the maximum water temperature supplied by the valve and may create a scalding hazard. The pressure-balancing valve **will not** compensate for changes in the water supply temperature; adjust the maximum water temperature setting of this pressure-balancing valve when such changes occur.
- Pressure-balancing valves may not provide protection against scalding if there is a failure of other temperature-limiting devices elsewhere in the plumbing system.



WARNING: Cancer and Reproductive Harm –
www.P65Warnings.ca.gov

NOTICE: Only apply silicone based lubricants to these valves. Do not use petroleum based lubricants. Petroleum based lubricants will harm the O-rings, seals, and plastic components.

The installer is responsible for installing the valve and adjusting the maximum water temperature of this pressure-balancing valve according to instructions.

This valve meets or exceeds ANSI A112.18.1 and ASSE 1016.

If you do not understand any of the installation or temperature adjustment instructions in this document, in the United States please contact our Customer Care Center at **1-800-4KOHLER**. Outside the U.S., please contact your distributor.

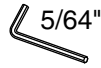
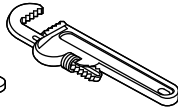
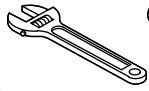
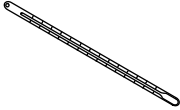
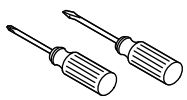
IMPORTANT INSTRUCTIONS (cont.)

IMPORTANT NOTICE TO INSTALLERS! Please fill in the blanks in the information box below and on the valve label. Retain this information for future reference.

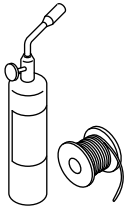
NOTICE TO HOMEOWNERS! This device has been preset by _____ of _____ to ensure a safe maximum temperature. Any change in the setting may raise the discharge temperature above the limit considered safe, and lead to scalds.

Date: _____

Tools



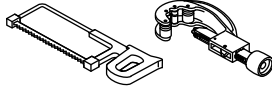
5/64"
Hex Wrench



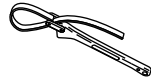
Solder



Sealant Tape



Hacksaw or Tubing Cutter



Strap Wrench

Important Information



WARNING: Risk of scalding. High water temperature can cause severe burns. Set the water temperature at or below 120°F (49°C) following the adjustment procedure.

NOTICE: Do not force the handle in any direction. Forcing the handle will damage the valve.

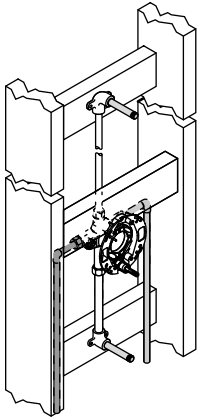
NOTE: The primary outlet is the outlet that the water will flow from when the valve is turned on. Water will flow from the secondary outlet when the diverter is pressed.

Important Information (cont.)

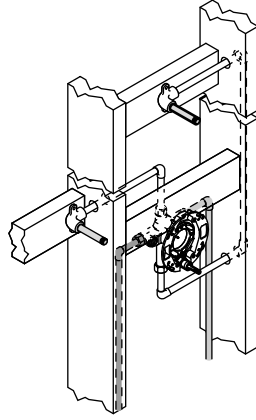
- This valve can be used for two different installation configurations: 1) Bath Spout (primary) with Showerhead or Handshower (secondary) and 2) Showerhead (primary) with Handshower (secondary). See the "Installation Options" section for example piping options. Follow only the instructions that apply to your chosen installation.
- This valve can be used for thin and thick wall installations. Thin wall installations are typically fiberglass and acrylic. Thick wall installations are typically tile, plaster, marble, or other similar material.
- Observe all local plumbing and building codes.
- Shut off the water supply.

Installation Options

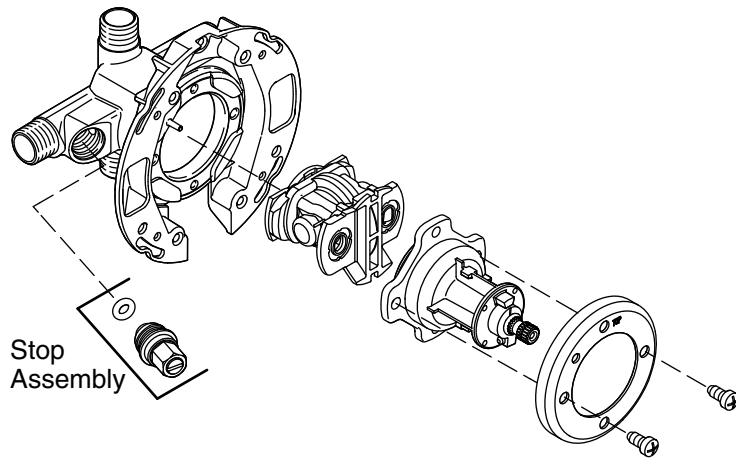
1 Bath as Primary Outlet



2 Showerhead as Primary Outlet



Preparation



1. Prepare the Valve

IMPORTANT! The internal components of the valve will only need to be removed for back-to-back installations (reversed valve only) or installations that require soldering of connections.

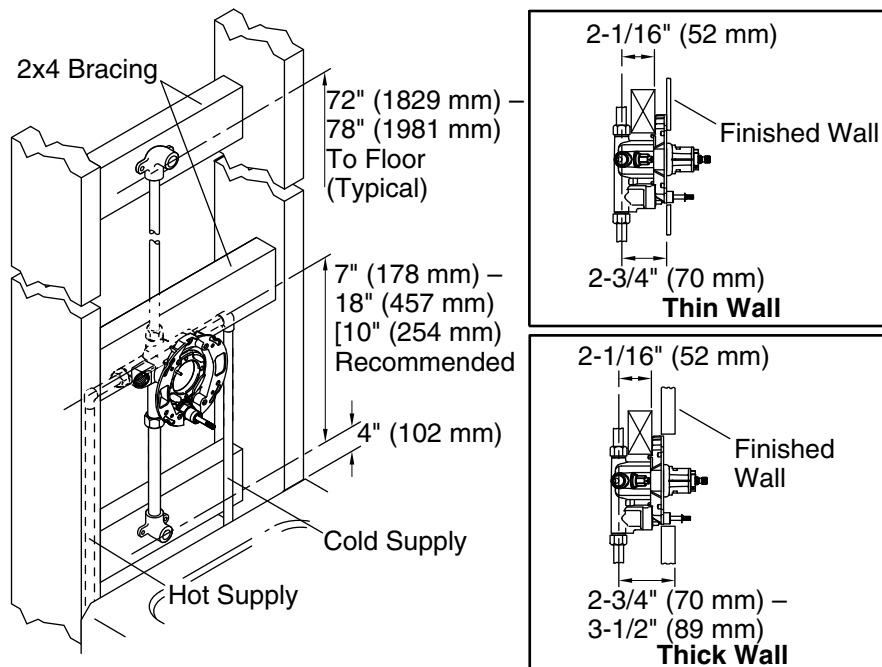
NOTE: Only valves with stops will include the stop assembly.

Installations Requiring Soldering

- Remove the plaster guard (not shown).
- Remove internal valve components as shown and set aside.

Back-to-Back Installations

- Remove the plaster guard (not shown).
- For the reversed valve, remove internal components as shown and set aside. The stop assembly does not need to be removed if soldering is not needed.



2. Roughing-In

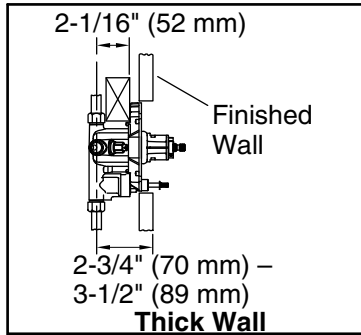
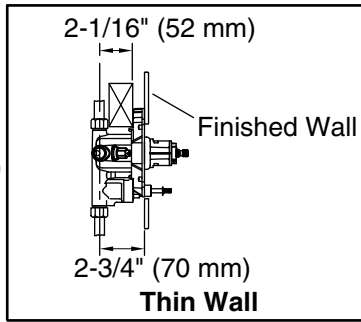
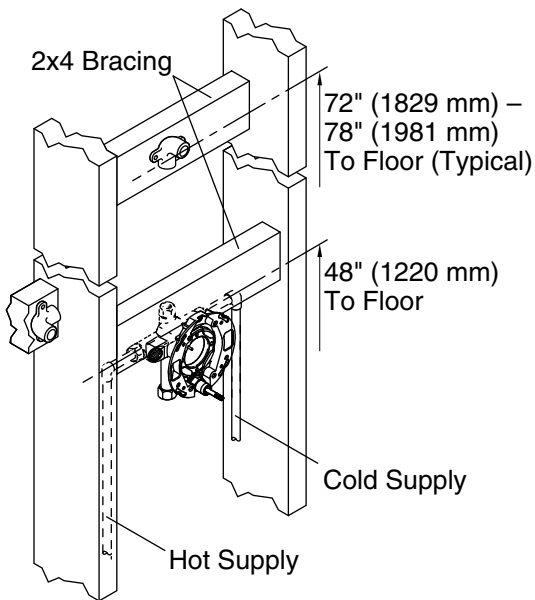
Showerhead/Bath Spout Installations

For Back-to-Back Installations: Proceed to the "Install the Supply Piping and Valve, Back-to-Back" section.

- Route the supplies and install the valve. Refer to the roughing-in illustration for your installation.

NOTE: The position of the 2x4 bracing is dependent on the thickness of your finished wall.

- Install 2x4 bracing behind the plate as shown.
- Install bracing at the showerhead and bath spout outlet installation locations.
- Connect the water supplies using 1/2" copper, CPVC, or PEX components. Use thread sealant on all threaded connections.
- Proceed to the "Route the Piping" section for your installation configuration.



3. Roughing-In

Showerhead/Handshower Installations

For Back-to-Back Installations: Proceed to the "Install the Supply Piping and Valve, Back-to-Back" section.

- Route the supplies and install the valve. Refer to the roughing-in illustration for your installation.

NOTE: The position of the 2x4 bracing is dependent on the thickness of your finished wall.

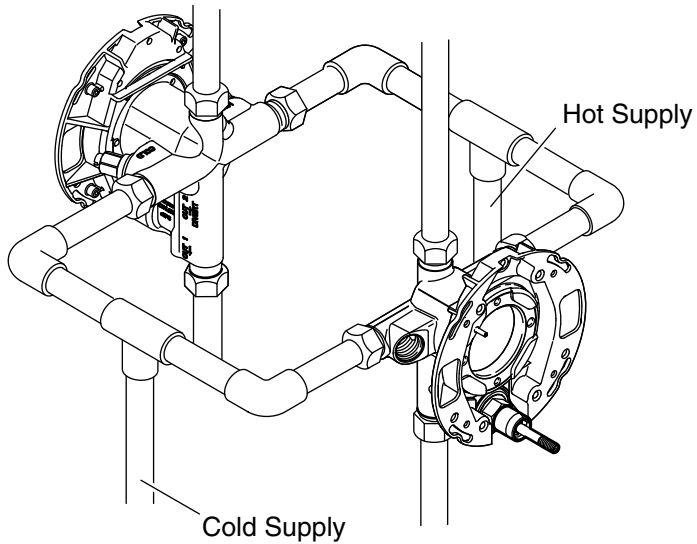
- Install 2x4 bracing behind the plate as shown.

NOTE: The outlet positions are dependant on your particular installation and may differ from the illustration shown.

- Install bracing at the showerhead and handshower outlet installation locations.
- Connect the water supplies using 1/2" copper, CPVC, or PEX components. Use thread sealant on all threaded connections.

Roughing-In (cont.)

- Proceed to the "Route the Piping" section for your installation configuration.



4. Install the Supply Piping and Valve

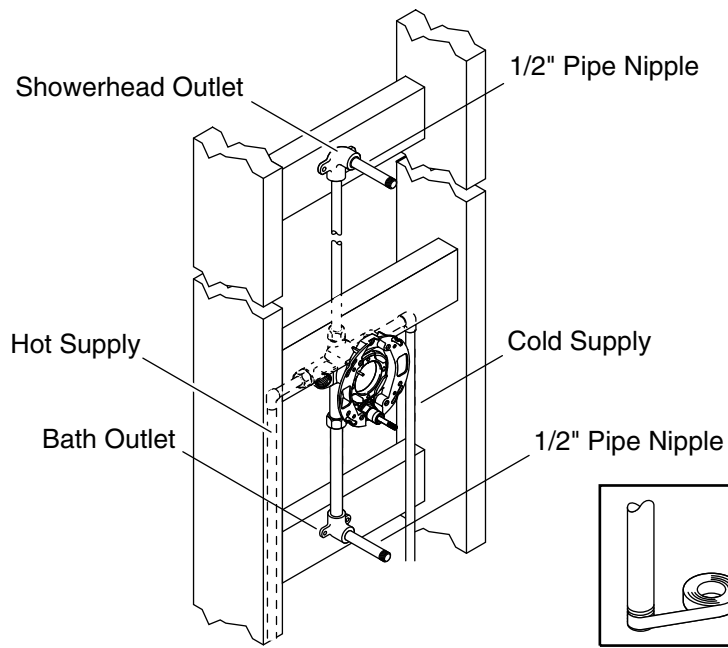
Back-to-Back Installation

NOTICE: Do not install the valve body upside down.

- Route the supplies and install the valves. Refer to the roughing-in illustration for your installation.

NOTE: One valve will have reversed supply connections, hot supply to "COLD" inlet and cold supply to "HOT" inlet.

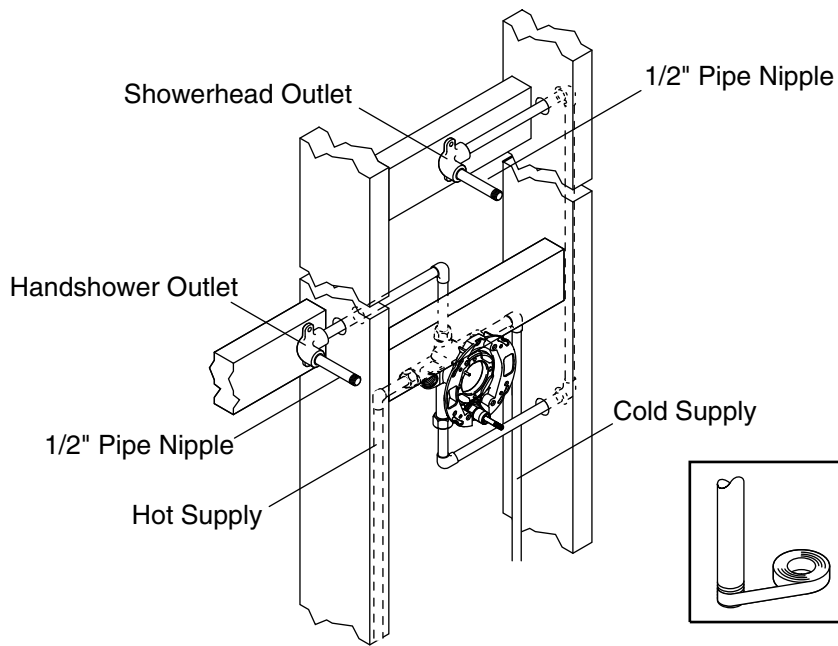
- Connect the water supplies as shown. Use sealant tape on all threaded connections.
- Install 2x4 bracing behind the plate (not shown).
- Proceed to the "Route the Piping" section for your installation configuration.



5. Route the Piping

Bath Spout as Primary Outlet

- Install piping and elbows to the bath and showerhead installation locations. Use thread sealant on all threaded connections.
- Secure the piping to the framing.
- Solder all needed connections.
- Temporarily install 1/2" pipe nipples to the elbows so they will extend at least 2" (51 mm) beyond the finished wall.
- Install caps to both pipe nipples.
- Proceed to the "Reassemble the Valve" section.

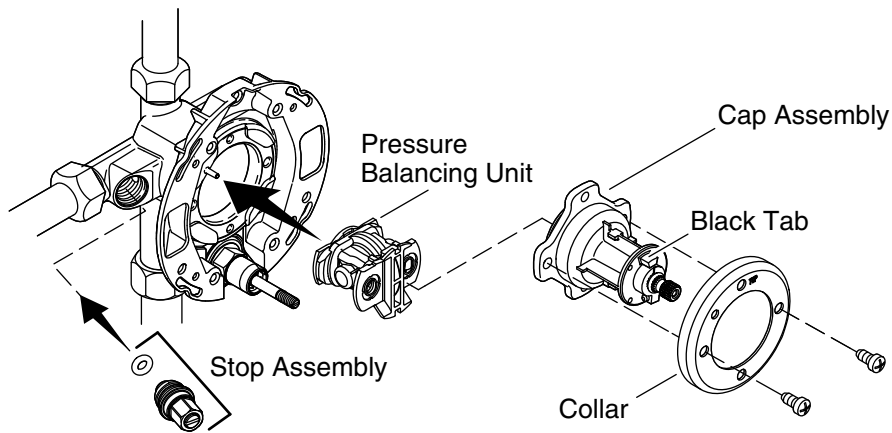


6. Route the Piping

Showerhead as Primary Outlet

NOTE: Illustration shows the recommended piping configuration. Piping may need to be modified to accommodate your specific site.

- Install piping and elbows to the showerhead and handshower supply locations. Use thread sealant on all threaded connections.
- Secure the piping to the framing.
- Solder all needed connections.
- Temporarily install 1/2" pipe nipples to the elbows so they will extend at least 2" (51 mm) beyond the finished wall.
- Install caps to both pipe nipples.
- Proceed to the "Reassemble the Valve" section.



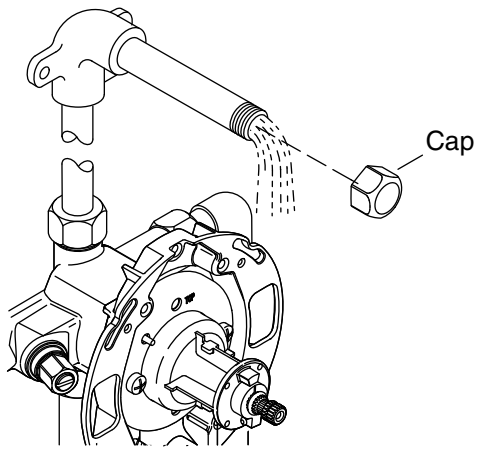
7. Reassemble the Valve

Solder Installations Only

- ❑ Slowly open the water supply and flush the lines and valve body before assembling the internal components. Turn off the water supply.
- ❑ Reinstall the stop assembly (certain models) and the pressure balancing unit.
- ❑ For reversed valves in back-to-back installations proceed to "Back-to-Back Installations Only."
- ❑ Reinstall the cap assembly with the black tab oriented up.
- ❑ Install the collar and secure with the screws.

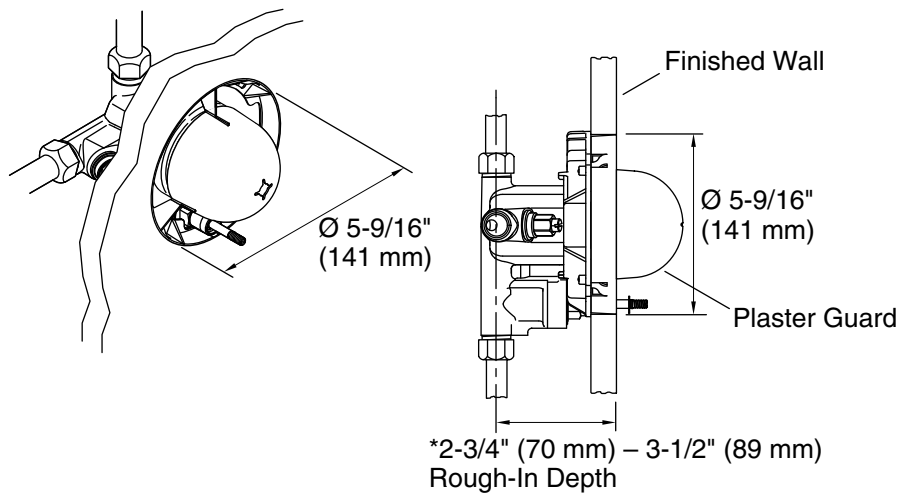
Back-to-Back Installations Only

- ❑ The cap assembly for the reversed valve **only** will need to be reinstalled, with the black tab oriented **down**, to the valve with the reversed supply connections. Install the cap assembly to the second valve with the black tab oriented up.
- ❑ Install the collar and secure with the screws.



8. Flush the System

- Remove the cap from one of the pipe nipples.
- Turn the valve stem clockwise to the full open position. Water will flow from the uncapped outlet.
- Turn the valve stem counterclockwise to close.
- Reinstall the cap.
- Repeat for the second pipe nipple.
- Reinstall the cap.



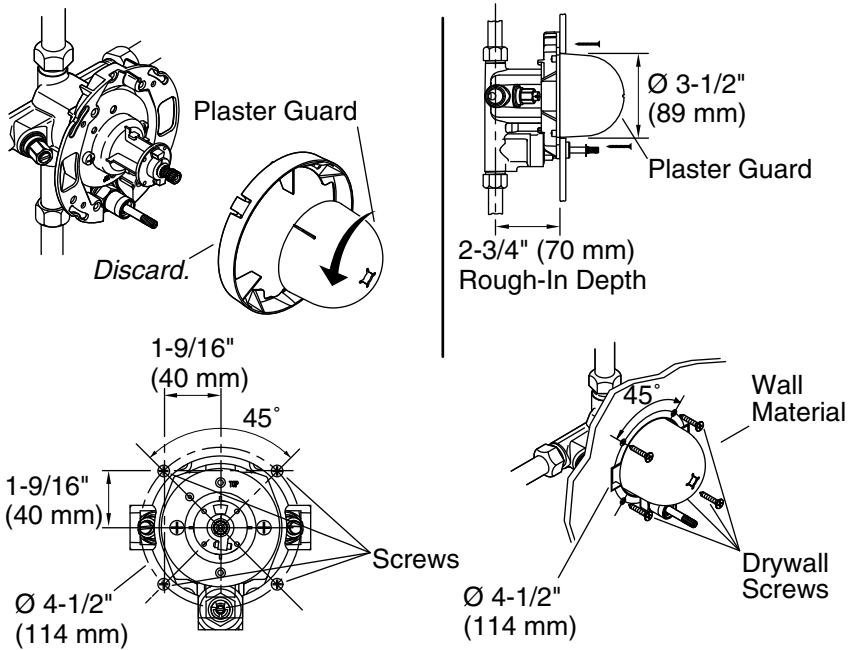
*** Refer to the valve trim specification sheet
for roughing-in dimensions.**

9. Install the Finished Wall

Thick Wall

NOTE: The plaster guard can be used as a guide for marking the cut out.

- Cut a 5-9/16" (141 mm) hole in the wall material.
- Install the finished wall material.
- Leave the plaster guard in place at this time.



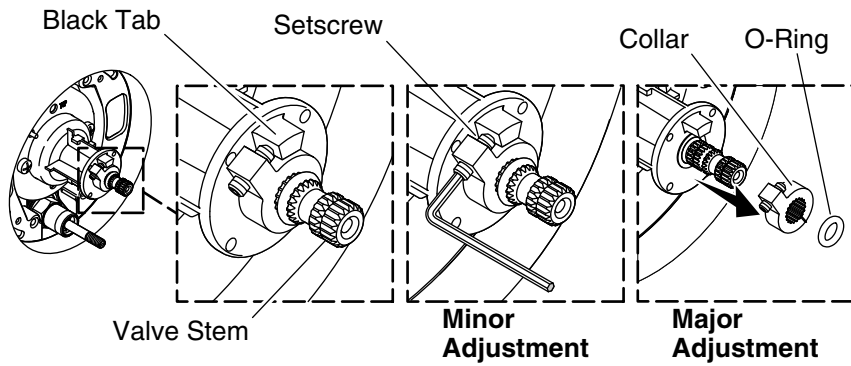
10. Install the Finished Wall

Thin Wall

- Twist the dome of the plaster guard to separate it from the outer ring. Discard the outer ring.
- Slide the dome over the valve stem.

NOTE: The plaster guard dome can be used as a guide for marking the cut out.

- Cut a 4" (102 mm) hole in the wall material.
- For valves with stops:** Using the holes in the valve backplate as a guide, cut openings for the stops.
- Secure the wall material to the valve backplate at the locations shown.
- Leave the plaster guard dome in place at this time.



Temperature Limiting Adjustment



WARNING: Risk of scalding. High water temperature can cause severe burns. Set the water temperature at or below 120°F (49°C) following the adjustment procedure.

- Turn the valve stem clockwise to the full open position. Allow the water to run for several minutes.
- Using a thermometer, check the water temperature.
- Turn off the water.

Minor Temperature Adjustment

- Using a hex wrench, turn the setscrew clockwise to lower the temperature and counterclockwise to raise the temperature.
- Recheck the water temperature.

Major Temperature Adjustment

- Remove the O-ring and collar from the valve stem.
- Slowly turn the valve stem until the water temperature is 120°F (49°C) or less.
- Leave the water running at the desired maximum temperature and reinstall the collar with the setscrew positioned against the tab.
- Turn off the water.
- Reinstall the O-ring.

Warranty

KOHLER® Faucet Lifetime Limited Warranty

Kohler Co. warrants its Faucets* manufactured after January 1, 1997, to be leak and drip free during normal residential use for as long as the original consumer purchaser owns his or her home. If the Faucet should leak or drip during normal use, Kohler Co. will, free of charge, mail to the purchaser the cartridge necessary to put the Faucet in good working condition. This warranty applies only to Kohler Faucets installed in the United States of America, Canada or Mexico ("North America").

Kohler Co. also warrants all other aspects of the faucet or accessories ("Faucet")*, (except gold, non-Vibrant®, non-chrome finishes) to be free of defects in material and workmanship during normal residential use for as long as the original consumer purchaser owns his or her home. This warranty applies only to Kohler Faucets installed in North America. If a defect is found in normal residential use, Kohler Co. will, at its election, repair, provide a replacement part or product, or make appropriate adjustment. Damage to a product caused by accident, misuse, or abuse is not covered by this warranty. Improper care and cleaning will void the warranty**. Proof of purchase (original sales receipt) must be provided to Kohler Co. with all warranty claims. Kohler Co. is not responsible for labor charges, installation, or other incidental or consequential costs. In no event shall the liability of Kohler Co. exceed the purchase price of the Faucet.

If the Faucet is used commercially or is installed outside of North America, or if the finish is gold, non-Vibrant or a painted or powder coated color finish, Kohler Co. warrants the Faucet to be free from defects in material and workmanship for one (1) year from the date the product is installed, under Kohler Co.'s standard one-year limited warranty.

If you believe that you have a warranty claim, contact Kohler Co., either through your Dealer, Plumbing Contractor, Home Center or E-tailer, or by writing Kohler Co., Attn.: Customer Care Center, 444 Highland Drive, Kohler, WI 53044, USA. Please be sure to provide all pertinent information regarding your claim, including a complete description of the problem, the product, model number, color, finish, the date the product was purchased and from whom the product was purchased. Also include your original invoice. For other information, or to obtain the name and address of the service and repair facility nearest you, call 1-800-4-KOHLER (1-800-456-4537) from within the USA and Canada, and 001-800-456-4537 from within Mexico, or visit www.kohler.com within the USA, www.ca.kohler.com from within Canada, or www.mx.kohler.com in Mexico.

KOHLER CO. AND/OR SELLER ARE PROVIDING THESE

Warranty (cont.)

WARRANTIES IN LIEU OF ALL OTHER WARRANTIES, EXPRESSED OR IMPLIED, INCLUDING BUT NOT LIMITED TO THE IMPLIED WARRANTIES OF MERCHANTABILITY AND FITNESS FOR A PARTICULAR PURPOSE. KOHLER CO. AND/OR SELLER DISCLAIM ALL LIABILITY FOR SPECIAL, INCIDENTAL OR CONSEQUENTIAL DAMAGES. Some states/provinces do not allow limitations of how long an implied warranty lasts or the exclusion or limitation of such damages, so these limitations and exclusions may not apply to you. This warranty gives the consumer specific legal rights. You may also have other rights that vary from state/province to state/province.

This is Kohler Co.'s exclusive written warranty.

*Trend® faucets, MasterShower® tower, BodySpa systems and components; WaterHaven® tower, systems and components; Tripoint® faucets, Polished Gold, non-Vibrant and painted or powder coated finishes, fittings; all items within the "Fixture Related" section of the Kohler Faucets Price Book, drains, Duostrainer® sink strainers, soap/lotion dispensers, Moxie® Wireless Speaker; and faucets used in commercial settings, and outside North America, are covered by Kohler Co.'s one-year limited warranty.

**Never use cleaners containing abrasive cleansers, ammonia, bleach, acids, waxes, alcohol, solvents or other products not recommended for chrome. This will void the warranty.

INSTRUCTIONS IMPORTANTES

LIRE ET CONVERSER POUR LE CONSOMMATEUR



AVERTISSEMENT: Risque de brûlures ou d'autres blessures graves.

- Avant de commencer l'installation, l'installateur doit régler la température maximale de l'eau de ce robinet afin de réduire au minimum les risques associés aux dangers de brûlures selon la norme ASTM F 444.
- Ne pas installer de dispositif d'arrêt sur les sorties de ce robinet. L'installation d'un tel dispositif peut créer une condition de débit croisé au niveau du robinet et peut modifier la température de l'eau.
- Les facteurs qui changent la température de l'eau fournie à ce robinet, tels que les changements de température d'eau saisonniers, et le remplacement ou l'entretien du chauffe-eau, changeront la température maximale de l'eau fournie par la vanne et pourront présenter un danger de brûlures. La vanne de régularisation de pression **ne compense pas** les changements de température de l'eau fournie; lorsque de tels changements ont lieu, régler la température maximale de l'eau de cette vanne.
- Les vannes de régularisation de pression risquent de ne pas assurer de protection contre les brûlures en cas de défaillance d'autres dispositifs de limitation de température installés ailleurs sur le réseau de plomberie.



AVERTISSEMENT: Cancer et Troubles de l'appareil reproducteur – www.P65Warnings.ca.gov

AVIS: Seuls des lubrifiants à base de silicone peuvent être appliqués sur ces vannes. Ne pas utiliser de lubrifiants à base de pétrole. Des lubrifiants à base de pétrole endommageront les joints toriques, les joints d'étanchéité et les composants en plastique.

INSTRUCTIONS IMPORTANTES (cont.)

L'installateur est responsable de l'installation de la vanne et du réglage de la température maximale de l'eau de cette vanne de régularisation de pression conformément aux instructions.

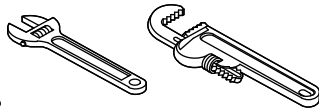
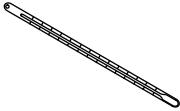
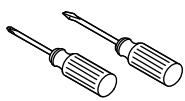
Ce robinet répond aux exigences des normes ANSI A112.18.1 et ASSE 1016 ou les dépasse.

Si les instructions d'installation ou de réglage de la température fournies dans le présent document ne sont pas bien comprises, contacter notre centre de service clientèle aux États-Unis à **1-800-4KOHLER**. En-dehors des É.-U., contacter le distributeur

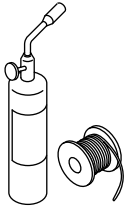
AVIS IMPORTANT AUX INSTALLATEURS! Remplir les vides dans la boîte d'information ci-dessous ainsi que sur l'étiquette de la vanne. Conserver ces renseignements pour référence future.

AVIS AUX PROPRIÉTAIRES! Ce dispositif a été pré-réglé par _____ de _____ pour assurer une température maximale sécurisée. Toute modification de ce réglage peut augmenter la température d'évacuation au-delà de la limite considérée comme étant sécuritaire et causer des brûlures.
Date : _____

Outils



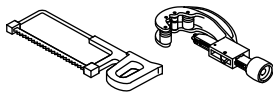
5/64 po
Clé hexagonale



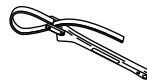
Brasure



Ruban d'étanchéité



Scie à métaux ou coupe-tube



Clé à sangle

Informations importantes



AVERTISSEMENT: Risque de brûlures. Une température d'eau élevée peut causer des brûlures graves. Régler la

Informations importantes (cont.)

température de l'eau à 120°F (49°C) ou moins en suivant la procédure de réglage.

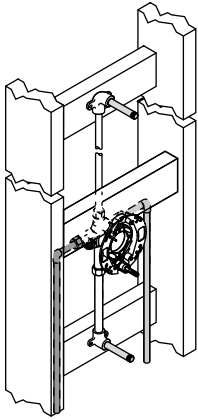
AVIS: Ne pas forcer la poignée dans une quelconque direction. La vanne subira des dommages si la poignée est forcée.

REMARQUE: La sortie principale est la sortie d'où l'eau s'écoule lorsque la vanne est mise en marche. L'eau s'écoule de la sortie secondaire lorsque l'on appuie sur l'inverseur.

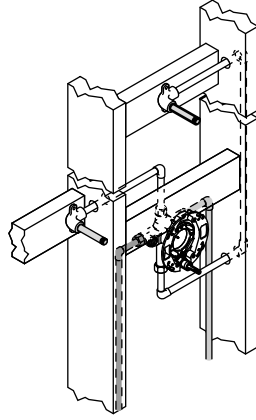
- Cette vanne peut être utilisée pour deux configurations d'installation différentes : 1) Bec de baignoire (principal) avec pomme de douche ou douchette (secondaire) et 2) Pomme de douche (principale) avec douchette (secondaire). Consulter la section « Options d'installation » pour des options d'exemples de conduites. Suivre uniquement les instructions qui s'appliquent à l'installation en question.
- Cette vanne peut être utilisée pour des installations sur mur fin ou épais. Les installations sur mur fin sont généralement de la fibre de verre et de l'acrylique. Les installations sur mur épais sont généralement du carrelage, du plâtre, du marbre, ou d'autres matériaux similaires.
- Respecter tous les codes de plomberie et de bâtiment locaux.
- Fermer l'alimentation en eau.

Options d'installation

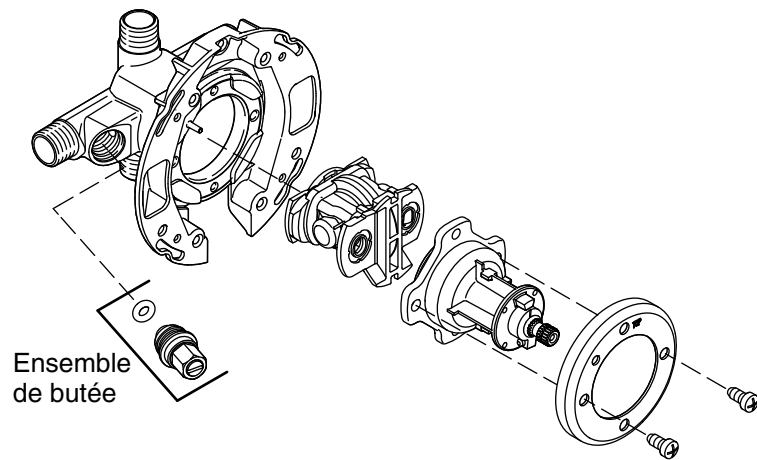
1 Bain comme sortie principale



2 Pomme de douche comme sortie principale



Préparation



1. Préparer la vanne

IMPORTANT! Les composants internes de la vanne doivent seulement être retirés pour les installations dos à dos (vanne inversée seulement) ou les installations qui nécessitent le soudage des connexions.

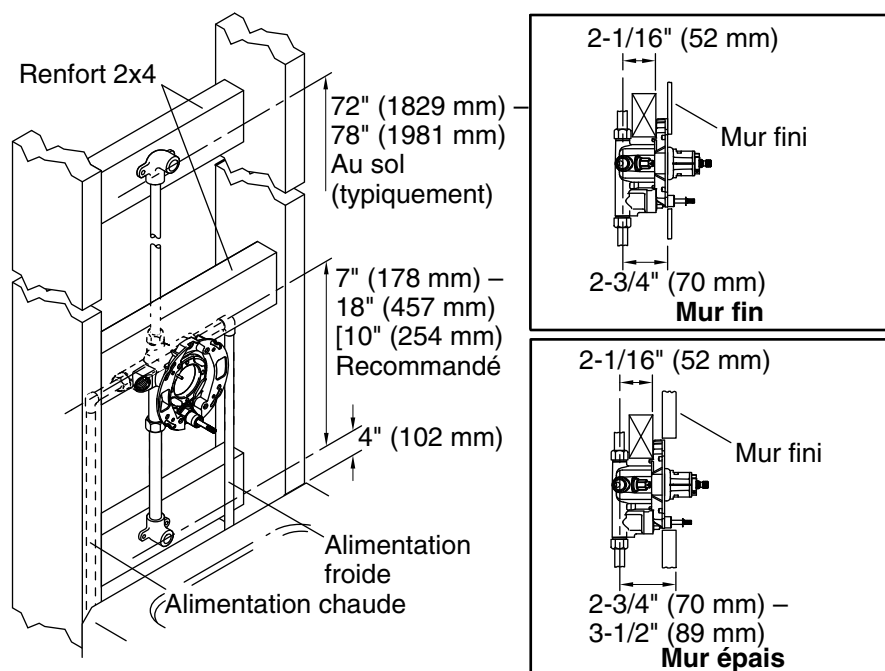
REMARQUE: Seulement les vannes munies de butées incluent l'ensemble de butée.

Installations nécessitant un soudage

- Retirer le renfort de plâtre (non illustré).
- Retirer les composants internes de la vanne tel qu'illustré et les mettre de côté.

Installations dos à dos

- Retirer le renfort de plâtre (non illustré).
- Pour la vanne inversée, retirer les composants internes tel qu'illustré, et les mettre de côté. L'ensemble de butée ne doit pas être retiré si aucune soudure ne s'avère nécessaire.



2. Raccordement

Installations de becs de pomme de douche/baignoire

Pour les installations dos à dos : Passer à la section « Installer les conduits d'alimentation et la vanne, dos à dos ».

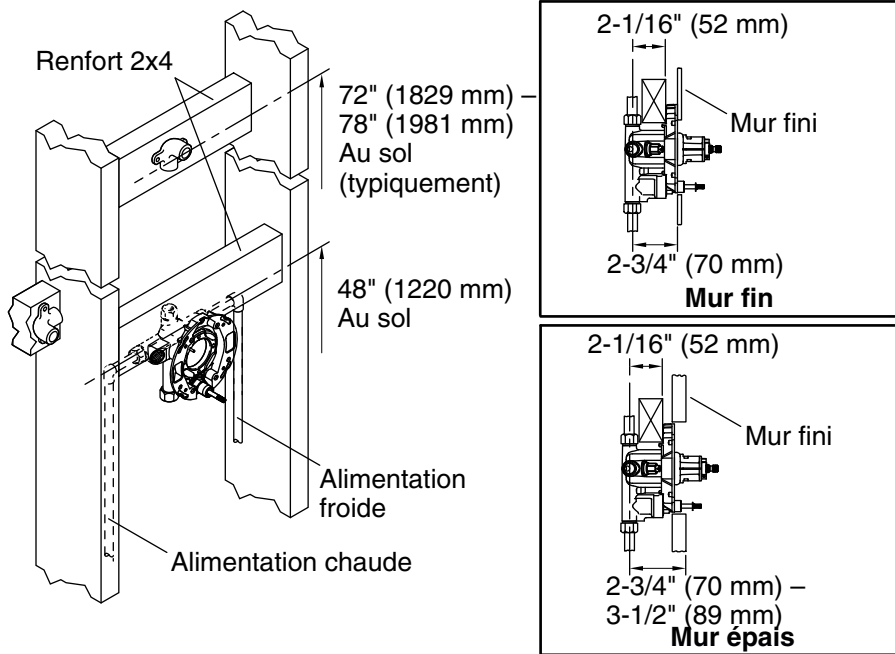
- Acheminer les conduits et installer la vanne. Se reporter à l'illustration du plan de raccordement pour l'installation en question.

REMARQUE: La position du renforcement 2x4 dépend de l'épaisseur du mur fini.

- Installer le renforcement 2x4 à l'arrière de la plaque, tel qu'illustré.
- Installer le renforcement au niveau des emplacements d'installation de la sortie du bec de la pomme de douche et de la baignoire.

Raccordement (cont.)

- Connecter les conduits d'alimentation en eau en utilisant des composants en cuivre 1/2 po, en PVC-C, ou en PEX. Utiliser du ruban d'étanchéité pour filets sur toutes les raccords filetés.
- Passer à la section « Acheminer les conduits » pour la configuration de l'installation en question.



3. Raccordement

Installations de pomme de douche/douchette

Pour les installations dos à dos : Passer à la section « Installer les conduits d'alimentation et la vanne, dos à dos ».

- Acheminer les conduits et installer la vanne. Se reporter à l'illustration du plan de raccordement pour l'installation en question.

REMARQUE: La position du renforcement 2x4 dépend de l'épaisseur du mur fini.

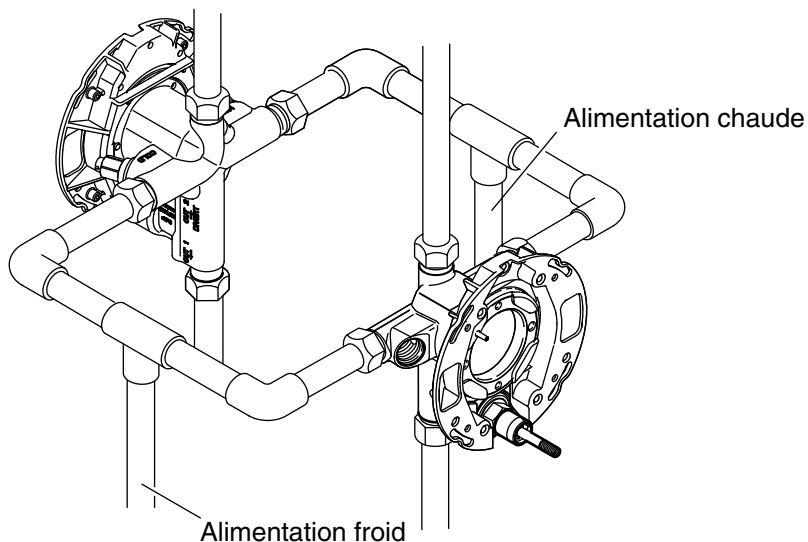
- Installer le renforcement 2x4 à l'arrière de la plaque, tel qu'illustré.

REMARQUE: Les positions de sortie dépendent de l'installation en question et peuvent être différentes de ce qui est illustré.

- Installer le renforcement au niveau des emplacements d'installation de la sortie de la pomme de douche et de la douchette.

Raccordement (cont.)

- Connecter les conduits d'alimentation en eau en utilisant des composants en cuivre 1/2 po, en PVC-C, ou en PEX. Utiliser du ruban d'étanchéité pour filets sur toutes les raccords filetés.
- Passer à la section « Acheminer les conduits » pour la configuration de l'installation en question.



4. Installer le conduit d'alimentation et la vanne

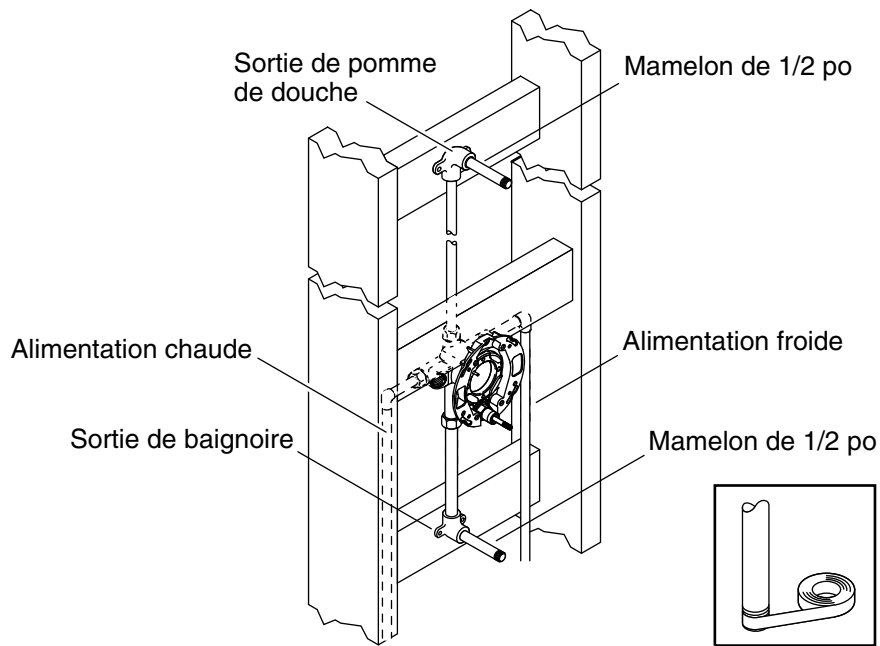
Installation dos à dos

AVIS: Ne pas installer le corps de la vanne à l'envers.

- ❑ Acheminer les conduits et installer les vannes. Se reporter à l'illustration du plan de raccordement pour l'installation en question.

REMARQUE: Une vanne est munie de connexions d'alimentation inversée, de l'entrée d'alimentation en eau chaude vers « COLD » (Froid) et de l'entrée d'alimentation en eau froide vers « HOT » (Chaud).

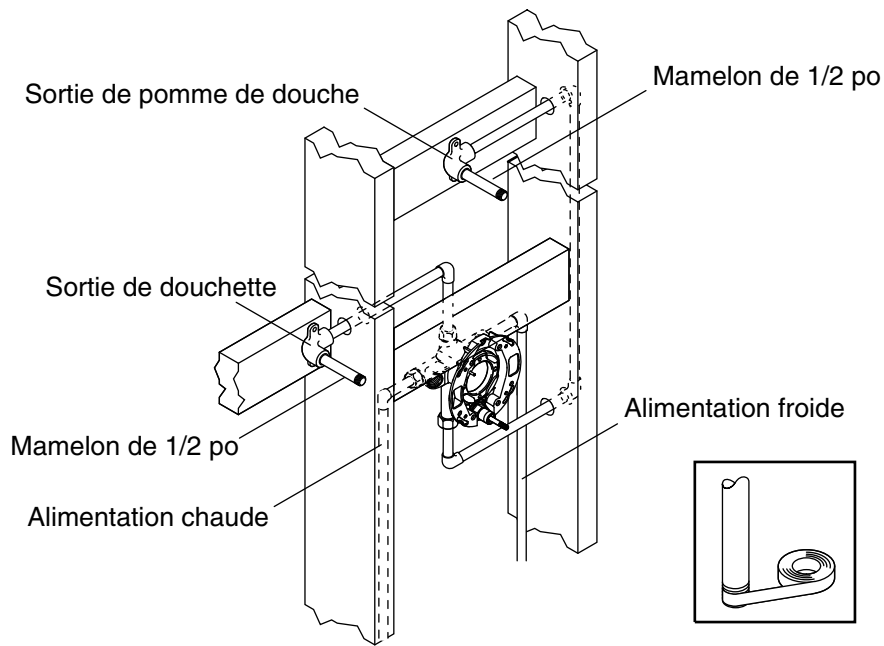
- ❑ Connecter les alimentations en eau tel qu'illustré. Utiliser du ruban d'étanchéité sur toutes les raccords filetés.
- ❑ Installer le renforcement 2x4 à l'arrière de la plaque (non illustré).
- ❑ Passer à la section « Acheminer les conduits » pour la configuration de l'installation en question.



5. Acheminer les conduits

Bec de baignoire comme sortie principale

- Installer les conduits et les coudes sur les emplacements d'installation de la baignoire et de la pomme de douche. Utiliser du ruban d'étanchéité pour filets sur toutes les raccords filetés.
- Fixer la tuyauterie en place sur la charpente.
- Souder toutes les connexions nécessaires.
- Installer temporairement des mamelons de 1/2 po sur les coudes de manière à ce qu'ils soient prolongés de 2 po (51 mm) au moins au-delà du mur fini.
- Installer les capuchons sur les deux mamelons de conduits.
- Passer à la section « Réassemblage de la vanne ».

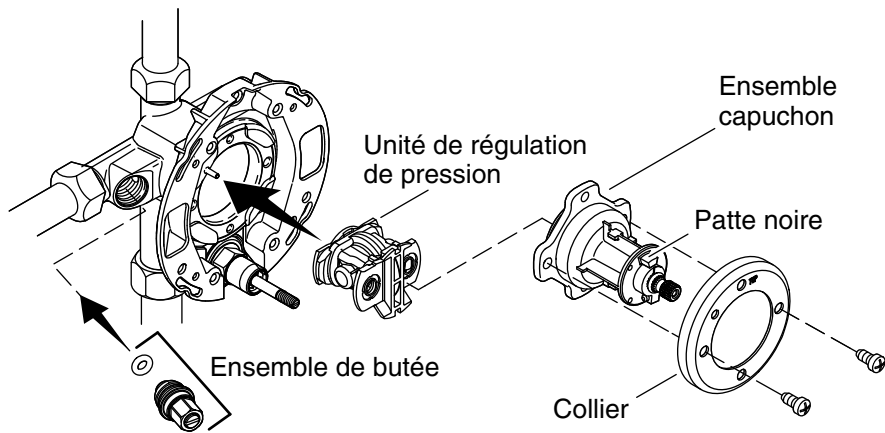


6. Acheminer les conduits

Pomme de douche comme sortie principale

REMARQUE: L'illustration indique la configuration de conduits recommandée. Les conduits pourraient devoir être modifiés pour se conformer au site spécifique.

- Installer les conduits et les coudes sur les emplacements d'alimentation de la pomme de douche et de la douchette. Utiliser du ruban d'étanchéité pour filets sur toutes les raccords filetés.
- Fixer la tuyauterie en place sur la charpente.
- Souder toutes les connexions nécessaires.
- Installer temporairement des mamelons de 1/2 po sur les coudes de manière à ce qu'ils soient prolongés de 2 po (51 mm) au moins au-delà du mur fini.
- Installer les capuchons sur les deux mamelons de conduits.
- Passer à la section « Réassemblage de la vanne ».



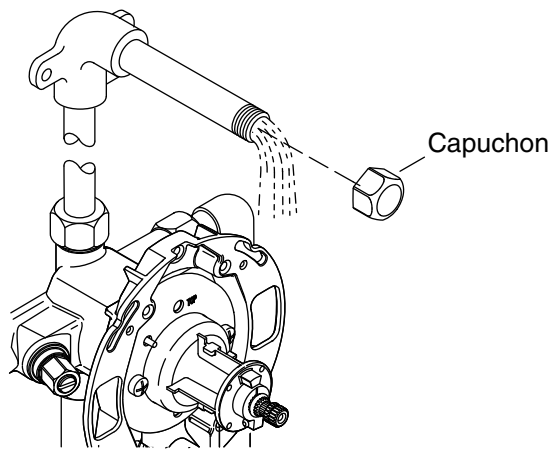
7. Réassembler la vanne

Installations avec soudure seulement

- Ouvrir lentement l'arrivée d'eau et purger les conduits et le corps de la vanne avant d'assembler les composants internes. Couper l'alimentation en eau.
- Réinstaller l'ensemble de butée (certains modèles) et l'unité d'équilibrage de pression.
- Pour les vannes inversées dans les installations dos-à-dos, passer à la section « Installations dos-à-dos seulement ».
- Réinstaller l'ensemble de capuchon avec la patte noire dirigée vers le haut.
- Installer le collier et le fixer en place avec les vis.

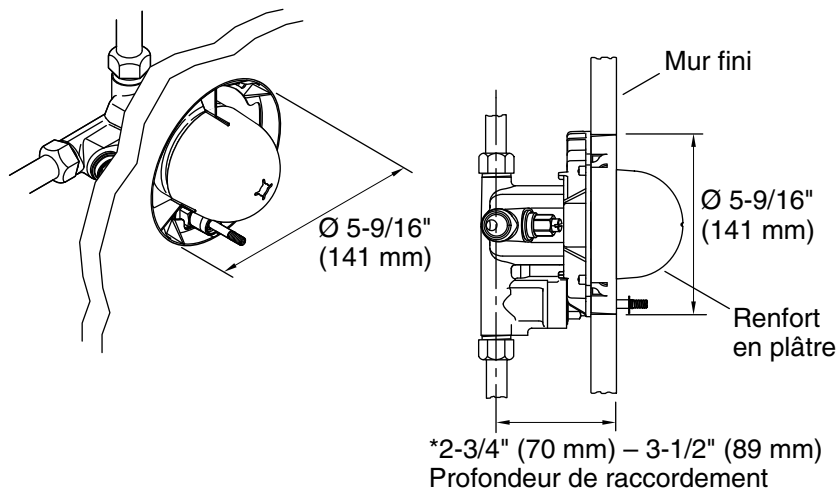
Installations dos à dos seulement

- **Seulement** l'ensemble de capuchon pour la vanne inversée doit être réinstallé avec la patte noire dirigée **vers le bas**, sur la vanne avec les connexions d'alimentation inversée. Installer l'ensemble de capuchon sur la deuxième vanne, avec la patte noire dirigée vers le haut.
- Installer le collier et le fixer en place avec les vis.



8. Purger le système

- Retirer le capuchon des mamelons du conduit.
- Tourner la tige de la vanne dans le sens des aiguilles d'une montre en position entièrement ouverte. L'eau s'écoule de la sortie sans capuchon.
- Tourner la tige de la vanne dans le sens contraire des aiguilles d'une montre pour fermer.
- Réinstaller le capuchon.
- Répéter cette procédure pour le deuxième mamelon de tuyau.
- Réinstaller le capuchon.



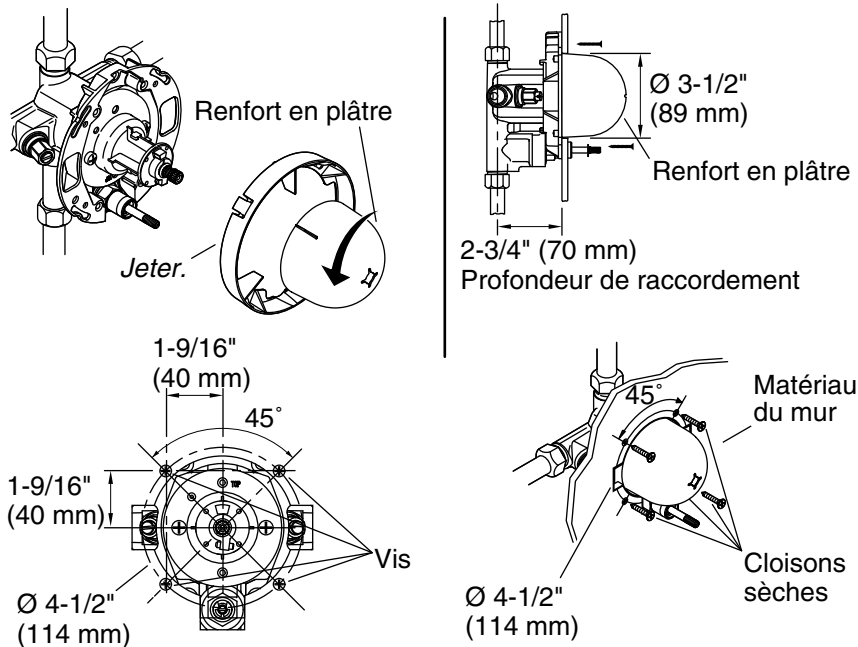
***Se référer à la fiche de spécifications du robinet mitigeur pour les dimensions de raccordement.**

9. Installer le mur fini

Mur épais

REMARQUE: Le renfort en plâtre peut être utilisé comme guide pour marquer la découpe.

- Découper un orifice de 5-9/16 po (141 mm) dans le matériau du mur.
- Installer le matériau du mur fini.
- Laisser le renfort en plâtre en place à ce point.



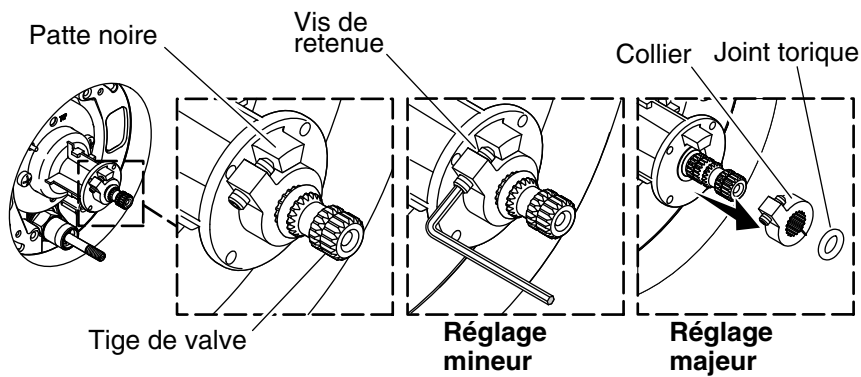
10. Installer le mur fini

Mur mince

- Tordre le dôme du renfort en plâtre pour le séparer de l'anneau externe. Jeter la bague externe.
- Enfiler le dôme sur la tige de la vanne.

REMARQUE: Le dôme du renfort en plâtre peut être utilisé comme guide pour marquer la découpe.

- Découper un orifice de 4 po (102 mm) dans le matériau du mur.
- Pour les vannes avec butées :** Utiliser les orifices de la plaque d'appui de la vanne comme guide pour découper les ouvertures pour les butées.
- Fixer le matériau du mur sur la plaque d'appui de la vanne aux emplacements indiqués.
- Laisser le dôme du renfort en plâtre en place à ce point.



Réglage de la température limite



AVERTISSEMENT: Risque de brûlures. Une température d'eau élevée peut causer des brûlures graves. Régler la température de l'eau à 120°F (49°C) ou moins en suivant la procédure de réglage.

- Tourner la tige de la vanne dans le sens des aiguilles d'une montre en position entièrement ouverte. Laisser l'eau couler pendant plusieurs minutes.
- Utiliser un thermomètre pour vérifier la température de l'eau.
- Couper l'eau.

Réglage mineur de la température

- Utiliser une clé hexagonale pour tourner la vis d'arrêt dans le sens des aiguilles d'une montre pour abaisser la température, et dans le sens contraire des aiguilles d'une montre pour élever la température.
- Vérifier à nouveau la température de l'eau.

Réglage majeur de la température

- Retirer le joint torique et le collier de la tige de la vanne.
- Tourner lentement la tige de la vanne jusqu'à ce que la température de l'eau atteigne 120°F (49°C) ou moins.
- Laisser l'eau couler à la température maximum souhaitée, puis réinstaller le collier avec la vis d'arrêt positionnée contre la patte.

Réglage de la température limite (cont.)

- Couper l'eau.
- Réinstaller le joint torique

Garantie

Garantie limitée à vie du robinet KOHLER®

Kohler Co. garantit que les robinets* fabriqués après le 1er janvier 1997 ne fuient pas et ne gouttent pas lors d'une utilisation domestique normale, aussi longtemps que l'acquéreur d'origine demeure propriétaire de son domicile. Si le robinet goutte ou présente des fuites lors d'une utilisation normale, Kohler Co. enverra par courrier à l'acheteur, sans frais, la cartouche nécessaire pour réparer le robinet. La présente garantie s'applique uniquement aux robinets Kohler installés aux États-Unis, au Canada ou au Mexique (« Amérique du Nord »).

Kohler Co. garantit également toutes les autres caractéristiques du robinet ou des accessoires (« Robinet »)*, (à l'exception des finitions dorées, non-Vibrant®, non chromées) contre tout vice de matériau et de fabrication lors d'une utilisation domestique normale, aussi longtemps que l'acquéreur d'origine demeure propriétaire de son domicile. La présente garantie s'applique uniquement aux robinets Kohler installés en Amérique du Nord. Si un vice est décelé lors d'une utilisation domestique normale, Kohler Co. choisira, à sa discrétion, la réparation, le remplacement ou la rectification appropriée. Cette garantie n'offre pas de protection contre les dommages dus à un accident, une mauvaise utilisation ou un mauvais traitement. Un entretien et un nettoyage inadéquats annulent la garantie**. Une preuve d'achat (ticket de caisse d'origine) doit être présentée à Kohler Co. avec toutes les réclamations au titre de la garantie. Kohler n'est pas responsable des frais de main-d'œuvre, d'installation ou de tous autres frais particuliers, accessoires ou indirects. La responsabilité de Kohler Co. ne dépassera en aucun cas le prix d'achat du robinet.

Si le robinet est utilisé dans un commerce ou s'il est installé en dehors d'Amérique du Nord, ou si la finition est dorée, non-Vibrant, peinte ou revêtue d'une poudre, Kohler Co. garantit le robinet contre tout vice de matériau et de fabrication pendant un (1) an à partir de la date d'installation du produit, selon les modalités de la garantie limitée standard d'un an de Kohler Co.

Pour toute réclamation au titre de la présente garantie, contacter Kohler Co. par l'intermédiaire du vendeur, plombier, centre de rénovation ou revendeur par internet, ou bien par écrit à l'adresse suivante Kohler Co., Attn.: Customer Care Center, 444 Highland Drive, Kohler, WI 53044, USA. Fournir tous les renseignements pertinents à la

Garantie (cont.)

réclamation, dont notamment une description complète du problème et du produit, le numéro de modèle, la couleur, la finition, la date et le lieu d'achat du produit. Joindre également l'original de la facture. Pour de plus amples renseignements, ou pour obtenir le nom et l'adresse de l'établissement d'entretien et de réparation le plus proche, appeler le 1-800-4-KOHLER (1-800-456-4537) à partir des É.-U. et du Canada, et le 001-800-456-4537 à partir du Mexique, ou consulter le site www.kohler.com à partir des É.-U., www.ca.kohler.com à partir du Canada, ou www.mx.kohler.com au Mexique.

KOHLER CO. ET/OU LE REVENDEUR FOURNISSENT CES GARANTIES AU LIEU ET PLACE DE TOUTES AUTRES GARANTIES, EXPRESSES OU TACITES, Y COMPRIS LES GARANTIES TACITES DE COMMERCIALITÉ ET D'ADAPTATION À UN USAGE PARTICULIER. KOHLER CO. ET/OU LE REVENDEUR DÉCLINENT TOUTE RESPONSABILITÉ CONTRE LES DOMMAGES PARTICULIERS, ACCESSOIRES OU INDIRECTS. Certains états et provinces ne permettent pas de limite sur la durée de la garantie tacite, ni l'exclusion ou la limite de tels dommages, et, par conséquent, lesdites limites et exclusions peuvent ne pas s'appliquer à votre cas. La présente garantie accorde au consommateur des droits juridiques particuliers. Vous pouvez également avoir d'autres droits qui varient d'un état ou d'une province à l'autre.

Ceci constitue la garantie écrite exclusive de Kohler Co.

*Les robinets Trend®, la colonne MasterShower®, les systèmes et éléments BodySpa; la colonne, les systèmes et les éléments WaterHaven®; les robinets Tripoint®, les finitions or poli, non-Vibrant et peintes ou à revêtement de poudre, les raccords, tous les articles de la section « Fixture Related » du catalogue des prix des robinets Kohler, les drains, les crépines d'évier Duostrainer®, les distributeurs de savon/lotion, le haut-parleur sans fil Moxie® et les robinets utilisés dans des installations commerciales et en dehors de l'Amérique du Nord sont couverts par la garantie limitée d'un an de Kohler Co.

**Ne jamais utiliser de nettoyants contenant des agents abrasifs, de l'ammoniaque, de l'eau de Javel, des acides, des cires, de l'alcool, des dissolvants ou autres produits non recommandés pour le chrome. Ceci annulera la garantie.

Guía de instalación y cuidado

Válvula de bañera y ducha

INSTRUCCIONES IMPORTANTES

LÉALAS Y GUÁRDELAS PARA EL CLIENTE



ADVERTENCIA: Riesgo de quemaduras o de otras lesiones graves.

- Antes de terminar de hacer la instalación, el instalador debe ajustar la temperatura máxima del agua en esta válvula para reducir el riesgo de quemaduras, según la norma ASTM F 444.
- No instale un dispositivo de cierre en ninguna de las salidas de esta válvula. La instalación de tales dispositivos puede producir contracorriente en la válvula y afectar la temperatura del agua.
- Los factores que cambian la temperatura del agua suministrada a la válvula, como cambios de temperatura debidos a las estaciones del año y mantenimiento o cambio del calentador de agua, cambian la temperatura máxima del agua suministrada por la válvula y pueden causar quemaduras. La válvula reguladora de presión **no** compensa los cambios de temperatura del agua de suministro; ajuste la temperatura máxima del agua de esta válvula reguladora de presión cuando se produzcan tales cambios.
- Es posible que las válvulas reguladoras de presión no protejan contra quemaduras si otros dispositivos limitantes de temperatura en el sistema de plomería no funcionan correctamente.



ADVERTENCIA: Cáncer y Daño Reproductivo –
www.P65Warnings.ca.gov

AVISO: Solo aplique lubricantes derivados de silicona a estas válvulas. No utilice lubricantes derivados del petróleo. Los lubricantes derivados del petróleo dañan los arosellos, los sellos y los componentes de plástico.

INSTRUCCIONES IMPORTANTES (cont.)

El instalador es responsable de instalar la válvula y de ajustar la temperatura máxima del agua de esta válvula reguladora de presión de acuerdo a las instrucciones.

Esta válvula cumple o excede las normas ANSI A112.18.1 y ASSE 1016.

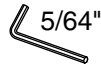
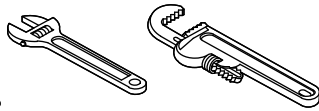
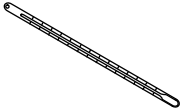
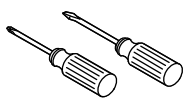
Si no comprende las instrucciones de instalación o de ajuste de temperatura contenidas en este documento, en los Estados Unidos llame a nuestro Centro de Atención al Cliente, al 1-800-4KOHLER. Fuera de los EE.UU, comuníquese con su distribuidor.

¡AVISO IMPORTANTE A LOS INSTALADORES! Llene las casillas de información a continuación y la etiqueta de la válvula. Guarde esta información para referencia futura.

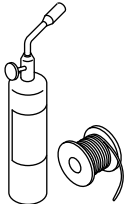
¡AVISO AL USUARIO! Este aparato fue ajustado originalmente por _____ de _____ para asegurar que la temperatura máxima sea segura. Cualquier cambio en el ajuste puede aumentar la temperatura de salida sobre el límite considerado seguro, y ocasionar quemaduras.

Fecha: _____

Herramientas



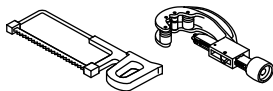
5/64"
Llave hexagonal



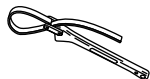
Soldadura



Cinta selladora



Sierra para metales o cortatubos



Llave de correa

Información importante



ADVERTENCIA: Riesgo de quemaduras. El agua a alta temperatura puede ocasionar quemaduras graves. Ajuste la temperatura del agua a un máximo de 120°F (49°C), de

Información importante (cont.)

acuerdo al procedimiento de ajuste.

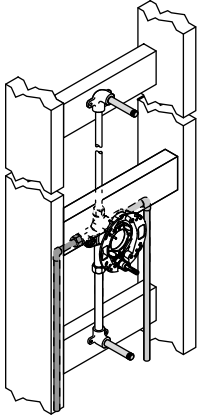
AVISO: No fuerce la manija en ninguna dirección. Si fuerza la manija, dañará la válvula.

NOTA: La salida primaria es la salida por donde saldrá el agua al abrir la válvula. El agua fluirá de la salida secundaria al oprimir el desviador.

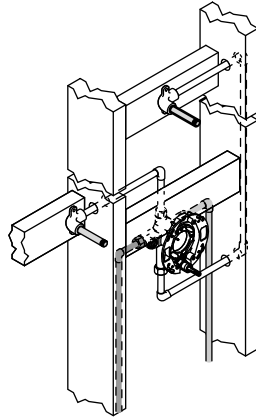
- Esta válvula se puede utilizar en dos configuraciones de instalación: 1) Surtidor de bañera (primaria) con cabeza de ducha o ducha de mano (secundaria), y 2) Cabeza de ducha (primaria) con ducha de mano (secundaria). Consulte ejemplos de opciones de tubería en la sección "Opciones de instalación". Siga las instrucciones correspondientes para la instalación que haya elegido.
- Esta válvula se puede utilizar para instalaciones en paredes delgadas y gruesas. Las instalaciones en paredes delgadas generalmente son fibra de vidrio o acrílico. Las instalaciones en paredes gruesas generalmente son azulejo, yeso, mármol u otros materiales similares.
- Cumpla todos los códigos locales de plomería y de construcción.
- Cierre el suministro de agua.

Opciones de instalación

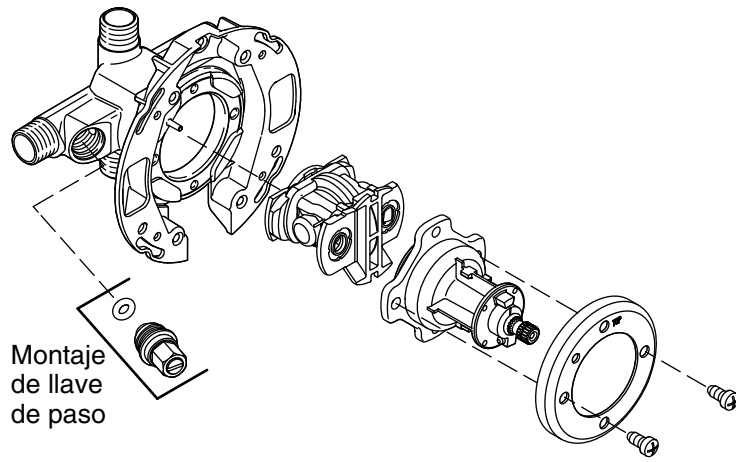
1 Bañera como salida primaria



2 Cabeza de ducha como salida primaria



Preparación



1. Prepare la válvula

¡IMPORTANTE! Los componentes internos de la válvula solo se tienen que retirar en instalaciones contiguas (solo válvula invertida) o en instalaciones que requieren soldadura de conexiones.

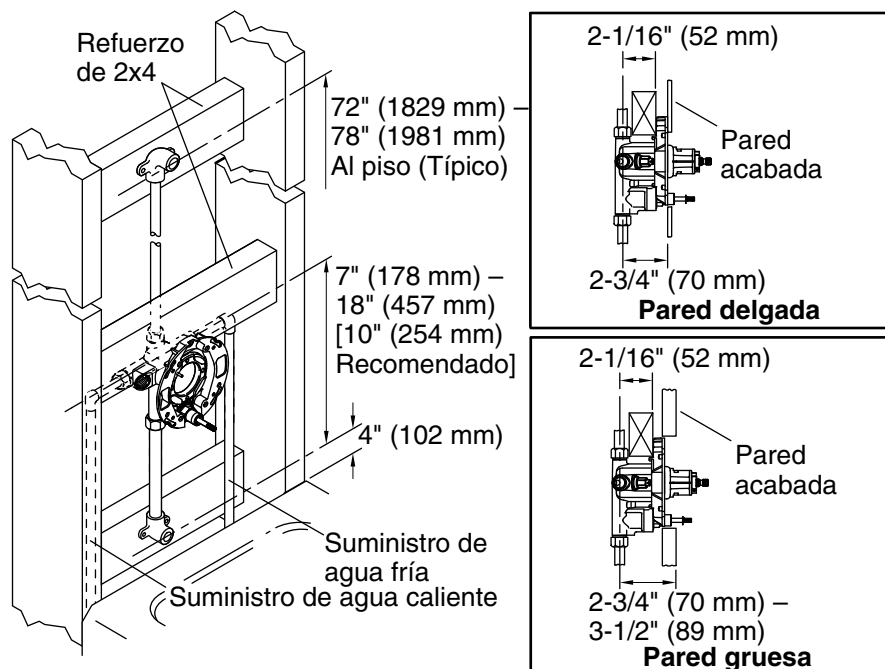
NOTA: Solo las válvulas con llaves de paso incluyen el ensamblaje de llave de paso.

Instalaciones que requieren soldadura

- Retire el protector de yeso (no se muestra).
- Retire los componentes internos de la válvula como se ilustra y colóquelos a un lado.

Instalaciones contiguas

- Retire el protector de yeso (no se muestra).
- En el caso de la válvula invertida, retire los componentes internos como se ilustra, y colóquelos a un lado. No es necesario retirar el ensamblaje de llave de paso si no es necesario soldar.



2. Diagrama de instalación

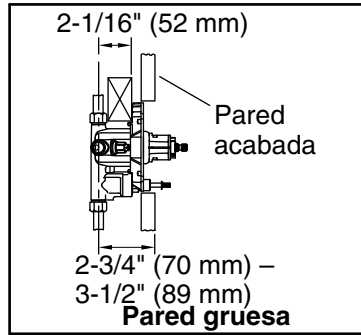
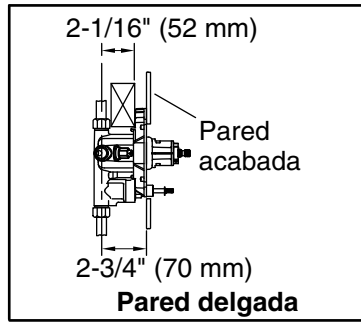
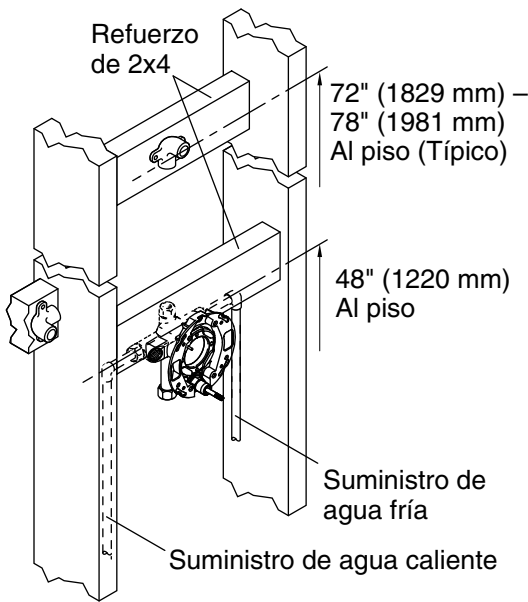
Instalaciones de cabeza de ducha/surtidor de bañera

En instalaciones contiguas: Proceda a la sección "Instale la tubería de suministro y la válvula, contiguas".

- Tienda los suministros e instale la válvula. Consulte el diagrama de instalación adecuado a su instalación.

NOTA: La posición de los refuerzos de 2x4 depende del grosor de la pared acabada.

- Instale refuerzos de 2x4 detrás de la placa, como se muestra.
- Instale los refuerzos en las ubicaciones de instalación de la salida de la cabeza de ducha y del surtidor de bañera.
- Conecte los suministros de agua con componentes de 1/2" de cobre, CPVC o PEX. Use cinta selladora de roscas en todas las conexiones roscadas.
- Pase a la sección "Tienda la tubería" para la configuración adecuada a su instalación.



3. Diagrama de instalación

Instalaciones de cabeza de ducha/ducha de mano

En instalaciones contiguas: Proceda a la sección "Instale la tubería de suministro y la válvula, contiguas".

- Tienda los suministros e instale la válvula. Consulte el diagrama de instalación adecuado a su instalación.

NOTA: La posición de los refuerzos de 2x4 depende del grosor de la pared acabada.

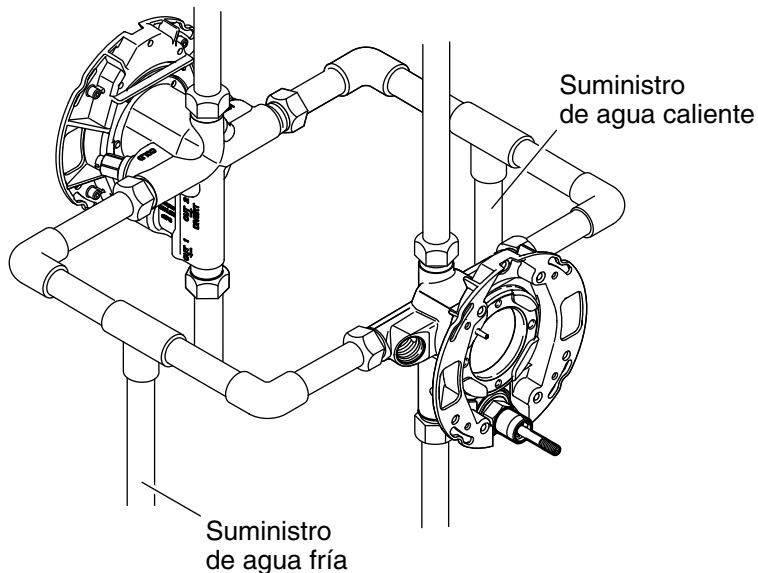
- Instale refuerzos de 2x4 detrás de la placa, como se muestra.

NOTA: Las posiciones de salida dependen de su instalación particular y pueden diferir de la ilustración mostrada.

- Instale los refuerzos en las ubicaciones de instalación de la salida de la cabeza de ducha y de la ducha de mano.

Diagrama de instalación (cont.)

- Conecte los suministros de agua con componentes de 1/2" de cobre, CPVC o PEX. Use cinta selladora de roscas en todas las conexiones roscadas.
- Pase a la sección "Tienda la tubería" para la configuración adecuada a su instalación.



4. Instale la tubería de suministro y la válvula

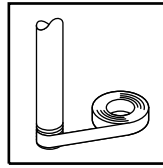
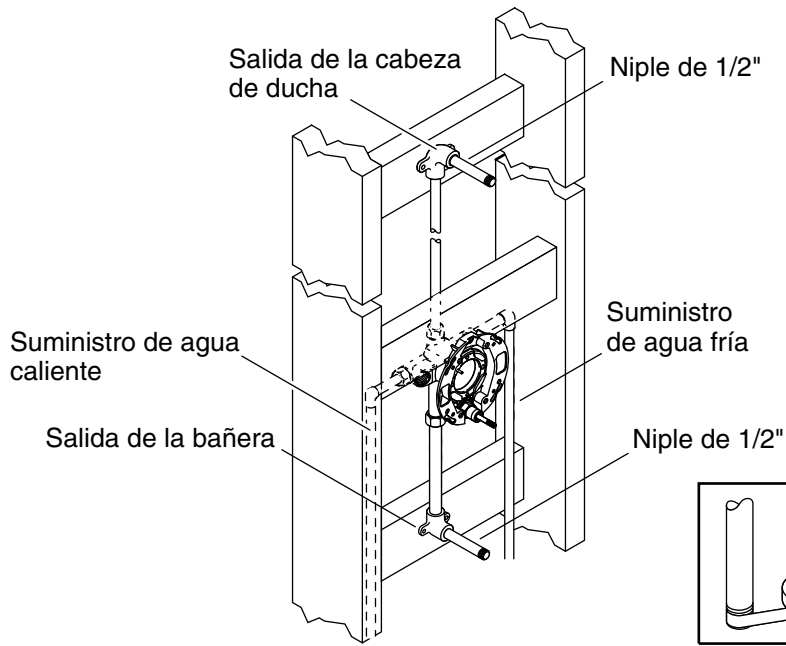
Instalación contigua

AVISO: No instale el cuerpo de la válvula boca abajo.

- Tienda los suministros e instale las válvulas. Consulte el diagrama de instalación adecuado a su instalación.

NOTA: Una válvula tendrá las conexiones de suministro invertidas, el suministro de agua caliente a la entrada de agua fría (identificada "COLD") y el suministro de agua fría a la entrada de agua caliente (identificada "HOT").

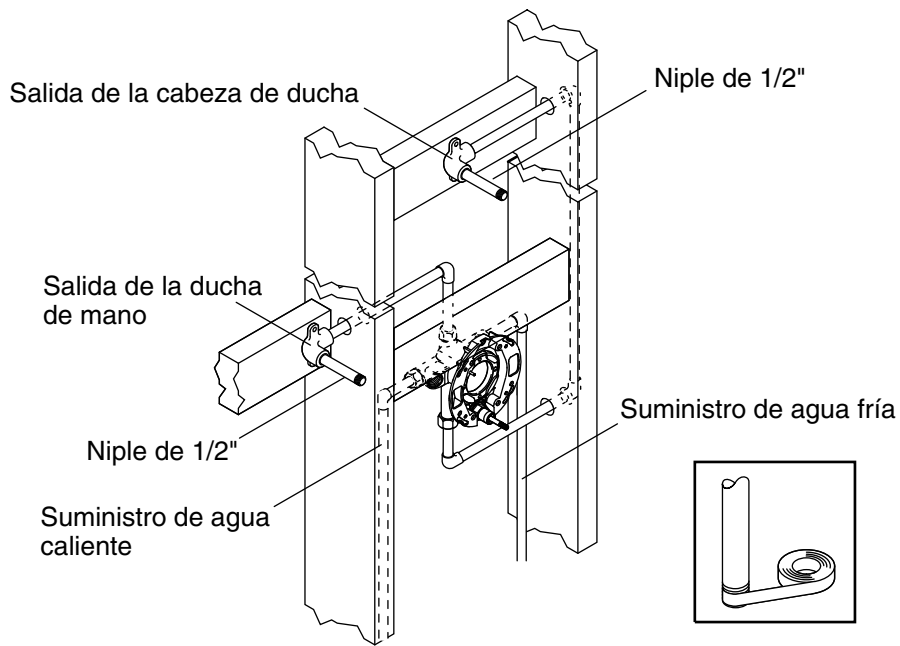
- Conecte los suministros de agua como se muestra. Utilice cinta selladora de roscas en todas las conexiones roscadas.
- Instale refuerzos de 2x4 detrás de la placa (no se muestra).
- Pase a la sección "Tienda la tubería" para configurar su instalación.



5. Tienda la tubería

Surtidor de bañera como salida primaria

- Instale la tubería y los codos en las ubicaciones de instalación de la bañera y de la cabeza de ducha. Use cinta selladora de roscas en todas las conexiones roscadas.
- Fije las tuberías a la estructura de postes.
- Suelde todas las conexiones necesarias.
- Instale temporalmente niples de 1/2" en los codos para que sobresalgan por lo menos 2" (51 mm) de la pared acabada.
- Instale tapas en ambos niples.
- Continúe en la sección "Vuelva a ensamblar la válvula".

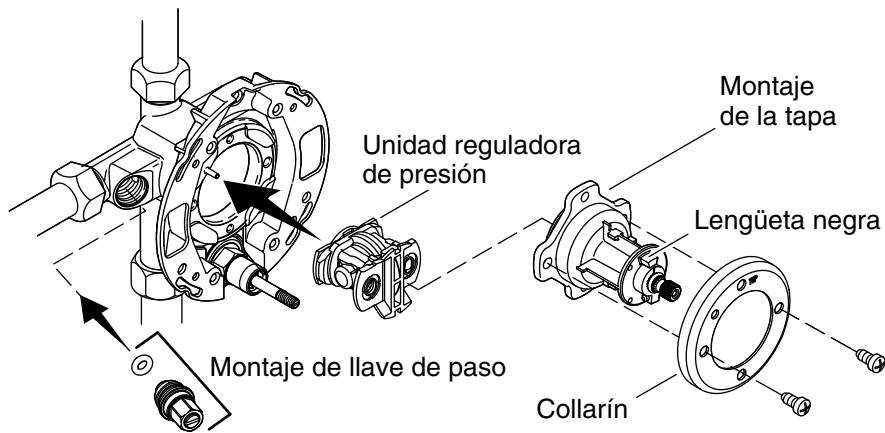


6. Tienda la tubería

Cabeza de ducha como salida primaria

NOTA: La ilustración muestra la configuración recomendada para la tubería. Es posible que sea necesario modificar la tubería para su lugar específico de instalación.

- Instale la tubería y los codos en las ubicaciones de suministro de la cabeza de ducha y ducha de mano. Use cinta selladora de roscas en todas las conexiones roscadas.
- Fije las tuberías a la estructura de postes.
- Suelde todas las conexiones necesarias.
- Instale temporalmente niples de 1/2" en los codos para que sobresalgan por lo menos 2" (51 mm) de la pared acabada.
- Instale tapas en ambos niples.
- Continúe en la sección "Vuelva a ensamblar la válvula".



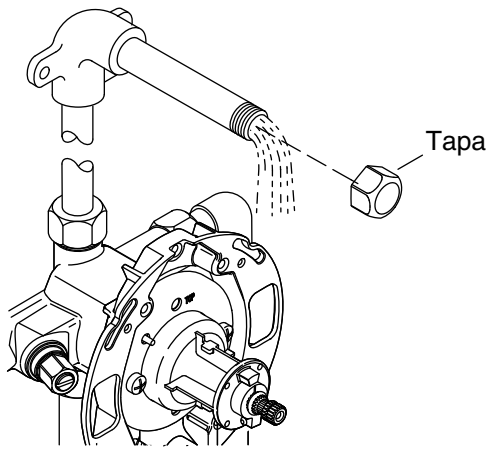
7. Vuelva a ensamblar la válvula

Solo instalaciones de soldadura

- Abra lentamente el suministro de agua y haga correr agua por las líneas y el cuerpo de la válvula antes de ensamblar los componentes internos. Cierre el suministro de agua.
- Vuelva a instalar el ensamblaje de llave de paso (ciertos modelos) y la unidad de regulación de presión.
- En el caso de válvulas invertidas en instalaciones contiguas, continúe en la sección "Solo instalaciones contiguas".
- Vuelva a instalar el ensamblaje de la tapa con la lengüeta negra hacia arriba.
- Instale el collarín y fije con los tornillos.

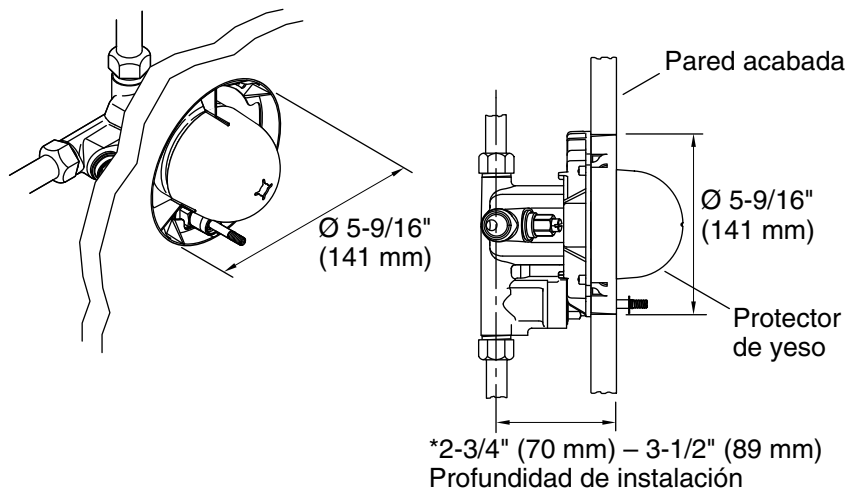
Solo instalaciones contiguas

- El ensamblaje de la tapa para la válvula invertida **solo** necesitará volverse a instalar, con la lengüeta negra hacia **abajo**, a la válvula con las conexiones de suministro invertidas. Instale el ensamblaje de la tapa a la segunda válvula con la lengüeta negra hacia arriba.
- Instale el collarín y fije con los tornillos.



8. Haga circular agua para limpiar el sistema

- Retire la tapa de uno de los niples.
- Gire el vástago de la válvula hacia la derecha hasta la posición totalmente abierta. Saldrá agua por la salida destapada.
- Gire el vástago de la válvula hacia la izquierda para cerrarla.
- Vuelva a instalar la tapa.
- Repita el procedimiento con el segundo niple.
- Vuelva a instalar la tapa.



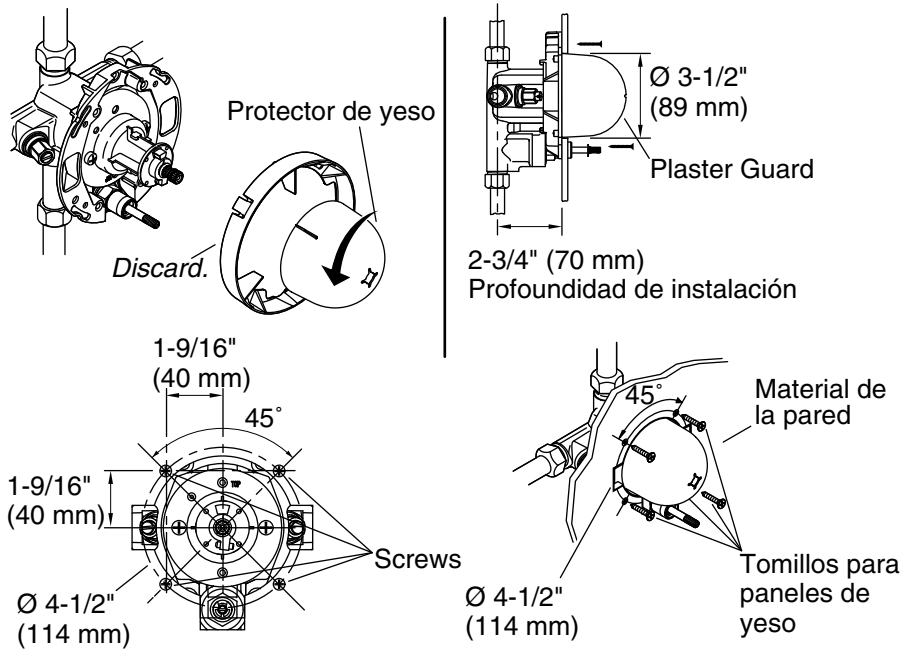
***Consulte la hoja de especificaciones de la guarnición de la válvula para las dimensiones de instalación.**

9. Instale la pared acabada

Pared gruesa

NOTA: El protector de yeso se puede utilizar como guía para hacer el recorte.

- Corte un orificio de 5-9/16" (141 mm) en el material de la pared.
- Instale el material de acabado de la pared.
- Deje el protector de yeso en su lugar en este momento.



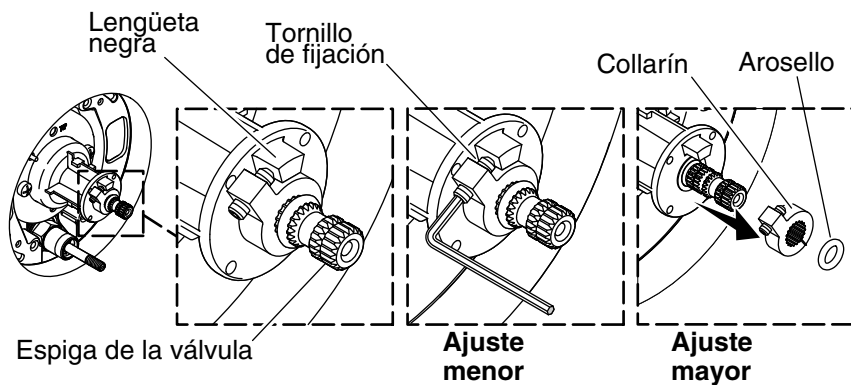
10. Instale la pared acabada

Pared delgada

- Gire el domo del protector de yeso para separarlo del anillo exterior. Deseche el anillo exterior.
- Deslice el domo sobre el vástago de la válvula.

NOTA: El domo protector de yeso se puede utilizar como guía para marcar el recorte.

- Corte un orificio de 4" (102 mm) en el material de la pared.
- En válvulas con llaves de paso:** Utilice los orificios de la placa posterior de la válvula como guía para cortar aberturas para las llaves de paso.
- Fije el material de la pared a la placa posterior de la válvula en los lugares indicados.
- Deje el domo protector de yeso en su lugar en este momento.



Ajuste del límite de temperatura



ADVERTENCIA: Riesgo de quemaduras. El agua a alta temperatura puede ocasionar quemaduras graves. Ajuste la temperatura del agua a un máximo de 120°F (49°C), de acuerdo al procedimiento de ajuste.

- Gire el vástago de la válvula hacia la derecha hasta la posición totalmente abierta. Deje que el agua corra durante varios minutos.
- Verifique la temperatura del agua con un termómetro.
- Cierre el agua.

Ajuste menor de temperatura

- Con una llave hexagonal, gire el tornillo de fijación hacia la derecha para bajar la temperatura y hacia la izquierda para elevar la temperatura.
- Vuelva a verificar la temperatura del agua.

Ajuste mayor de temperatura

- Retire el arosello y el collarín del vástago de la válvula.
- Gire el vástago de la válvula lentamente hasta que la temperatura del agua llegue a 120°F (49°C) o menos.
- Deje correr agua a la temperatura máxima deseada y vuelva a instalar el collarín con el tornillo de fijación colocado contra la lengüeta.
- Cierre el agua.

Ajuste del límite de temperatura (cont.)

- Vuelva a instalar el arosello.

Garantía

Garantía limitada de por vida para la grifería KOHLER®

Kohler Co. garantiza sus griferías* fabricadas después del 1.º de enero de 1997 contra problemas de fugas y goteo durante el uso residencial normal, mientras el comprador consumidor original sea el propietario de su casa. En caso de que la grifería presente fugas o goteo durante el uso normal, Kohler Co. enviará por correo, y sin ningún cargo al comprador original, el cartucho necesario para que la grifería funcione correctamente. Esta garantía se aplica solo a la grifería Kohler instalada en los Estados Unidos de América, Canadá o México ("Norteamérica").

Kohler Co. también garantiza todas las demás características de la grifería o de los accesorios ("Grifería")*, (excepto los acabados de oro, que no sean Vibrant®, o que no sean de cromo) contra defectos de material y mano de obra, durante el uso residencial normal, mientras el comprador consumidor original sea el propietario de su casa. Esta garantía se aplica solo a la grifería Kohler instalada en Norteamérica. Si se llegara a encontrar algún defecto durante el uso residencial normal, Kohler Co., a su criterio, reparará, proveerá un repuesto o producto, o realizará los ajustes pertinentes. Esta garantía no cubre daños causados por accidentes, abuso o uso indebido del producto. El cuidado y la limpieza indebidos anulan la garantía**. Al presentar las reclamaciones de garantía a Kohler Co. es necesario incluir el comprobante de compra (recibo de venta original). Kohler Co. no se hace responsable de costos de mano de obra, instalación u otros costos incidentales o indirectos. En ningún caso la responsabilidad de Kohler Co. excederá el precio de compra de la grifería.

Si la grifería se utiliza comercialmente o si se instala fuera del territorio de Norteamérica, o si el acabado es de oro, no es Vibrant o es un acabado de color con revestimiento de pintura o polvo, Kohler Co. garantiza la grifería contra defectos de material y mano de obra durante un (1) año a partir de la fecha de instalación, bajo la garantía limitada de un año estándar de Kohler Co.

Si usted considera que tiene una reclamación en virtud de la garantía, comuníquese con Kohler Co. a través de su distribuidor, contratista de plomería, centro de remodelación o distribuidor por Internet, o escriba a Kohler Co., Atención: Customer Care Center, 444 Highland Drive, Kohler, WI 53044, EE.UU. Asegúrese de proporcionar toda la información pertinente a su reclamación, incluida una descripción completa del problema, el producto, el número de modelo, el color, el acabado, la fecha de compra y el lugar de compra del producto.

Garantía (cont.)

También incluya el recibo original. Para consultar información adicional, o para obtener el nombre y la dirección del lugar de reparación y servicio más cercano a usted, llame al 1-800-4-KOHLER (1-800-456-4537) en los EE.UU. y Canadá, y al 001-800-456-4537 en México, o visite www.kohler.com en los EE.UU., www.ca.kohler.com en Canadá, o www.mx.kohler.com en México.

KOHLER CO. Y/O EL VENDEDOR OFRECEN ESTAS GARANTÍAS QUE SUSTITUYEN A TODAS LAS DEMÁS GARANTÍAS, EXPRESAS O IMPLÍCITAS, INCLUIDAS, ENTRE OTRAS, LAS GARANTÍAS IMPLÍCITAS DE COMERCIALIZACIÓN E IDONEIDAD PARA UN USO DETERMINADO. KOHLER CO. Y/O EL VENDEDOR DESCARGAN TODA RESPONSABILIDAD POR CONCEPTO DE DAÑOS PARTICULARES, INCIDENTALES O INDIRECTOS. Algunos estados/algunas provincias no permiten limitaciones en cuanto a la duración de una garantía implícita o a la exclusión o limitación de dichos daños, por lo que es posible que estas limitaciones y exclusiones no se apliquen a su caso. Esta garantía otorga al consumidor ciertos derechos legales específicos. Además, usted puede tener otros derechos que varían de estado a estado y de provincia a provincia.

Esta es la garantía exclusiva por escrito de Kohler Co.

*La grifería Trend®, la torre MasterShower®, los sistemas y los componentes BodySpa, la torre, los sistemas y los componentes WaterHaven®, las griferías Tripoint®, el acabado en oro pulido, que no sea Vibrant, y los acabados con revestimiento de pintura o en polvo, las conexiones, todos los artículos contenidos en la sección "Fixture Related" de la lista de precios de la grifería Kohler, los desagües, las coladeras de fregadero Duostrainer®, los dispensadores de jabón y loción, la bocina inalámbrica Moxie®; y la grifería de uso comercial e instalada fuera del territorio de Norteamérica, están cubiertos por la garantía limitada de un año de Kohler Co.

**Nunca utilice limpiadores que contengan abrasivos, amoníaco, blanqueador, ácidos, ceras, alcohol, disolventes u otros productos no recomendados para el cromo. Esto anula la garantía.

1128093-2-F

1128093-2-F

1128093-2-F

USA/Canada: 1-800-4KOHLER

México: 001-800-456-4537

kohler.com

THE BOLD LOOK
OF **KOHLER**®

©2018 Kohler Co.

1128093-2-F