

## FEATURES

- Solid brass construction for durability and reliability
- Two-handle, deck-mount faucet with 8" (203 mm) centers
- Seamless spout rotates 360 degrees with 8-9/16" (217 mm) spout reach
- Ceramic disc valves exceed industry longevity standards more than two times
- 1.8 gal/min (6.8 l/min) flow rate
- 1.5 gal/min (5.7 l/min) low-flow aerator available
- Meets CalGreen requirements for kitchen faucets
- Complements the Quincy kitchen faucet collection

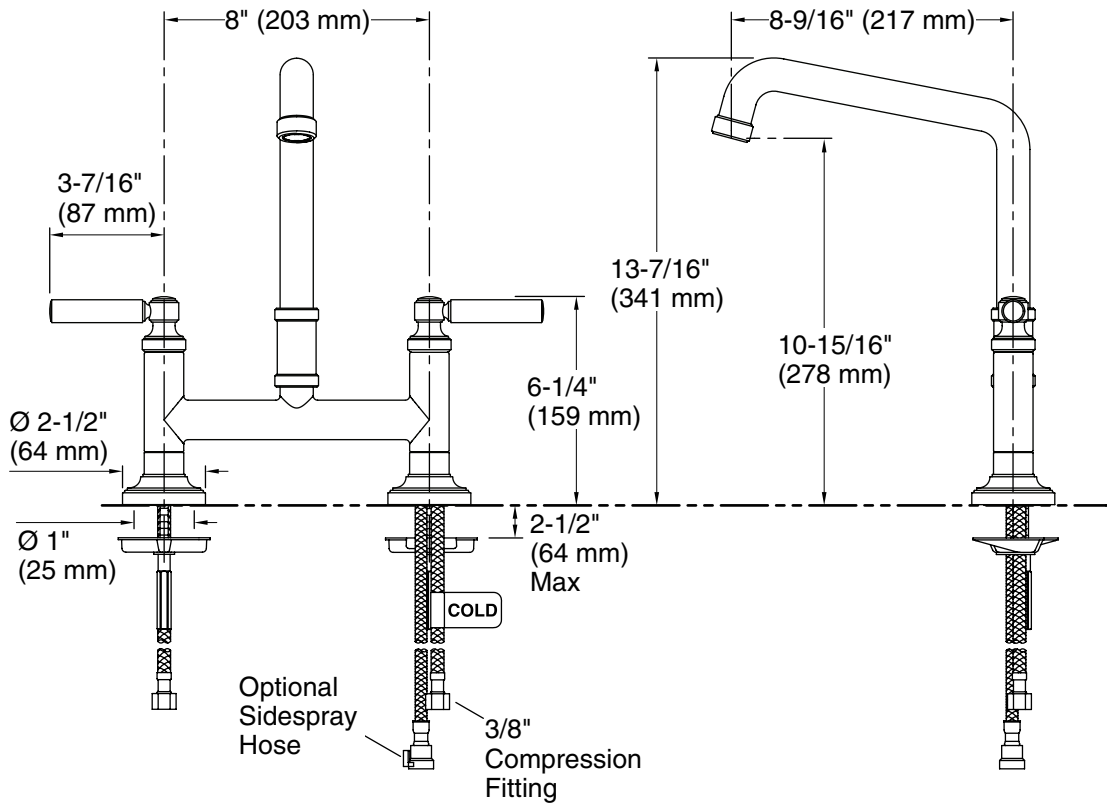
## CODES/STANDARDS APPLICABLE

Specified model meets or exceeds the following:

- ASME A112.18.1/CSA B125.1
- NSF 61
- ADA
- ICC/ANSI A117.1
- Energy Policy Act of 1992
- California Energy Commission (CEC)
- All applicable US Federal and State material regulations

## P25001

ADA



SPECIFIED MODEL			
Model	Description	Finishes	
P25001-00	Quincy Deck-Mount Bridge Kitchen Faucet	<input type="checkbox"/> CP Polished Chrome	<input type="checkbox"/> AD Nickel Silver
		<input type="checkbox"/> AG Brushed Nickel	<input type="checkbox"/> ULB Unlacquered Brass
Recommended Accessories			
P25010-00	Quincy Sidespray	<input type="checkbox"/> CP Polished Chrome	<input type="checkbox"/> AD Nickel Silver
		<input type="checkbox"/> AG Brushed Nickel	<input type="checkbox"/> ULB Unlacquered Brass
P25015-00	Quincy Soap/Lotion Dispenser	<input type="checkbox"/> CP Polished Chrome	<input type="checkbox"/> AD Nickel Silver
		<input type="checkbox"/> AG Brushed Nickel	<input type="checkbox"/> ULB Unlacquered Brass

We reserve the right to make revisions without notice in the design of products or in packaging unless this right has specifically been waived at the time the order is accepted.