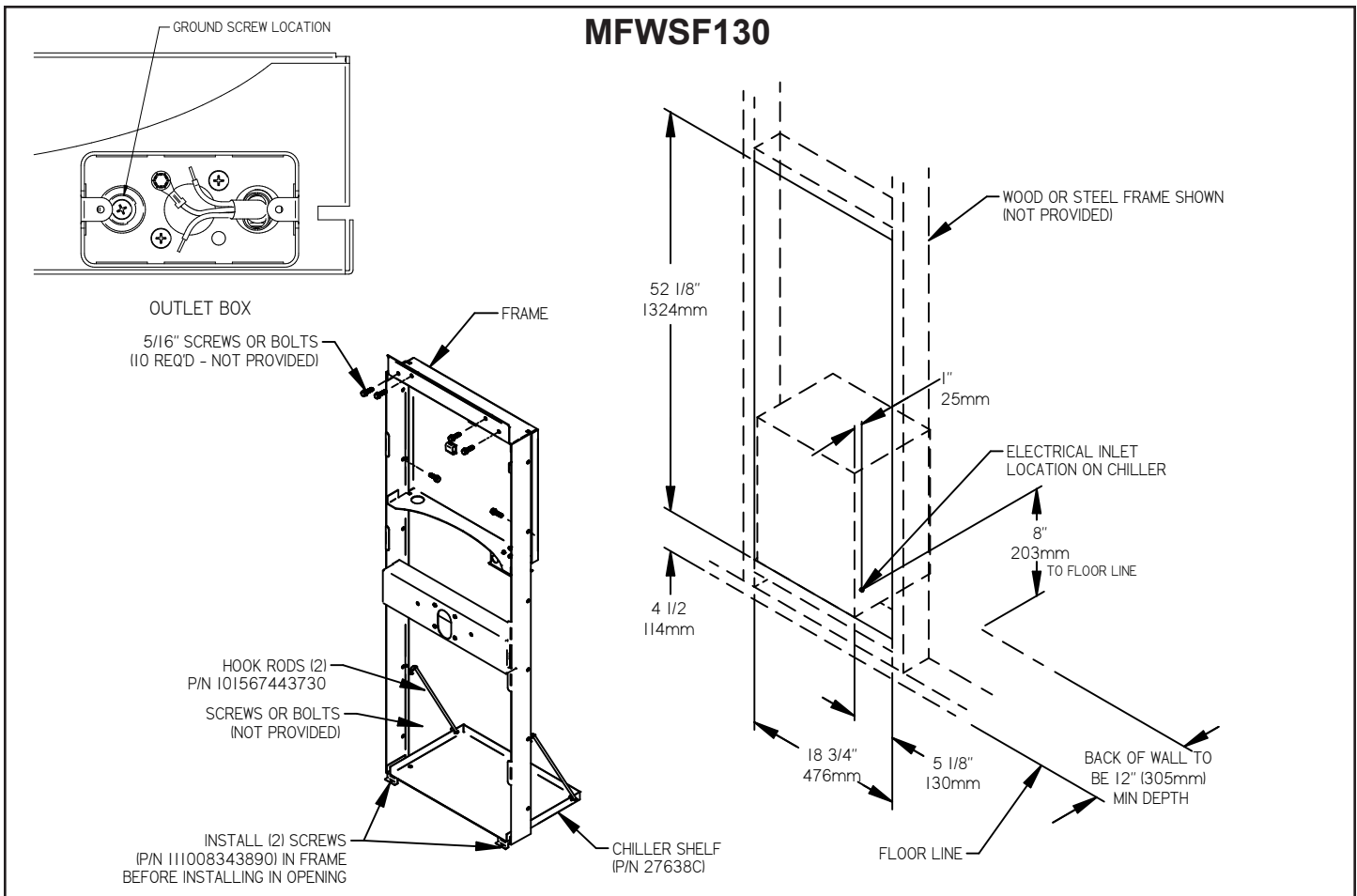


MFWSF130 MOUNTING FRAME INSTRUCTIONS



1. **Cut a square rectangular wall opening** 18 3/4" (476mm) W x 52 1/8" (1324mm) H and 4 1/2" (114mm) above the floor line. These dimensions are required to obtain proper rim and bubbler heights for compliance with ANSI standard A117.1.
2. **Reinforce the wall opening** on all sides so that it will adequately support the water fountain. This reinforcement must support up to 150 lbs static load and provide a means for securing the frame assembly in place.
NOTE: Building construction must allow for adequate air flow on both sides and top of remote chiller unit. Minimum of 4" (102mm) is required.
3. **Install plumbing and electrical rough-ins.** A junction box for a (3) wire, 10 amp branch circuit is provided on the inside of the chiller. (Standard 120 Volts, 60 Hz and single phase).
4. **Remove frame assembly and related hardware** from packaging. Install the frame squarely in wall opening with frame upright edges flush with the finished wall face. Place shelf inside frame and line up the (2) holes on each. Insert loose ends of rods into holes on sides of shelf panel. Using appropriately sized screws or bolts (not provided), fasten the shelf and frame to bottom of wall opening. Secure the frame sides and top to the wall using (10) 5/16" bolts or screws (not provided). Tighten securely.
NOTE: Be sure that frame is squared in location. Do not use less than required screw quantity and size.
5. **Mounting Frame Wiring Instructions:**
 - a. Turn off electrical supply to installation location circuit.
 - b. Remove Junction Box Cover to gain access to electrical box.
 - c. Connect electrical supply using conduit, wiring, and connectors per local and national codes.
 - d. Connect ground wire to ground screw (provided).
 - e. Connect black wire to "hot" power supply line 120V 60Hz, 1 phase.
 - f. Connect white wire to Neutral line.
 - g. Replace Junction Box Cover.
 - h. Connect electrical power to installation location circuit.

For Technical Service, please contact us at 1.800.476.4106