



- G1822** Eyewash, Deck Mounted, Stainless Steel Bowl
- G1822P** Eyewash, Deck Mounted, Plastic Bowl



Application: Eyewash for exposed mounting on countertop. Two GS-Plus™ spray-type outlet heads deliver a flood of water for rinsing eyes.

Spray Head Assembly: Two GS-Plus™ spray heads. Each head has a “flip top” dust cover, internal flow control and filter to remove impurities from the water flow.

Valve: 1/2" IPS chrome plated brass stay-open ball valve. Valve is US-made with chrome plated brass ball and PTFE seals.

Bowl: 11-1/8" diameter stainless steel (G1822) or 11-3/4" diameter orange ABS plastic (G1822P).

Mounting: Furnished with mounting shanks, locknuts and washers for mounting on countertop.

Supply: 1/2" NPT male inlet.

Waste: 1-1/4" NPT male outlet.

Sign: ANSI-compliant identification sign.

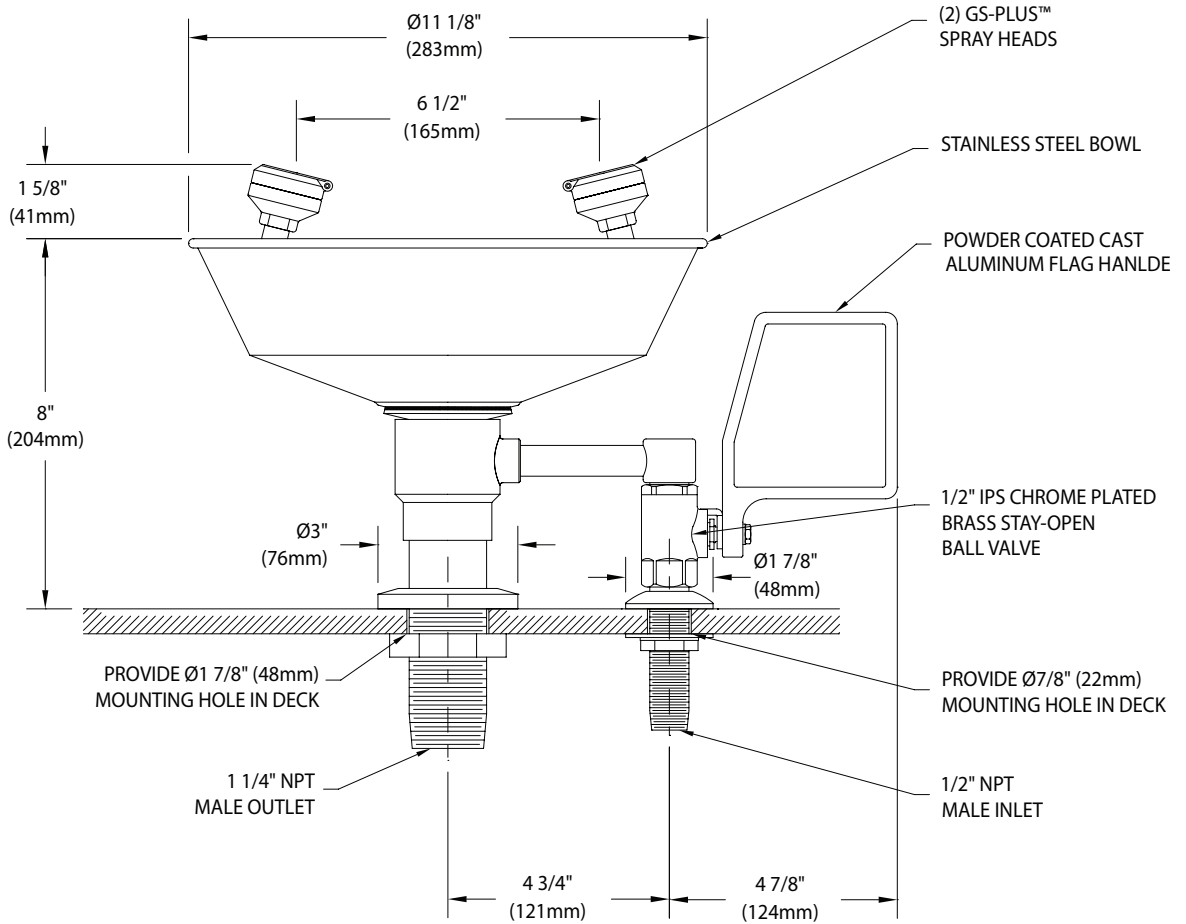
Quality Assurance: Unit is completely assembled and water tested prior to shipment.

Available Options

- G6020** Thermostatic mixing valve precisely blends hot and cold water to deliver tepid water as required by ANSI Z358.1-2014. Refer to “Thermostatic Mixing Valves” section for complete technical and product selection information.



- **G1822** Eyewash, Deck Mounted, Stainless Steel Bowl
- **G1822P** Eyewash, Deck Mounted, Plastic Bowl



NOTES:

1. EACH GS-PLUS™ SPRAY HEAD HAS A "FLIP-TOP" DUST COVER, INTERNAL FLOW CONTROL AND FILTER TO REMOVE IMPURITIES FROM THE WATER FLOW.
2. UNIT FURNISHED COMPLETE WITH HARDWARE FOR MOUNTING ON COUNTERTOPS FROM 1/8" TO 1-1/2" THICK.

THIS SPACE FOR ARCHITECT/ENGINEER APPROVAL

Due to continuing product improvement, the information contained in this document is subject to change without notice. All dimensions are ± 1/4" (6mm). rev. 080918

Sign Included

