



#### Features:

- Flow rate at 0.5 gallon per minute
- Spray flow pattern
- Wrench included
- Pressure compensating between 20 psi and 80 psi
- Insert provided by Neoperl
- Female or male thread available
- Laser etched "A112.18.1.M, 0.5 GPM / 1.9 LPM Max"
- Chrome or brushed nickel (same as SS) or oil rubbed bronze finish available

#### Standards & Certifications:

- ASME A112.18.1.M

#### Catalog Numbers:

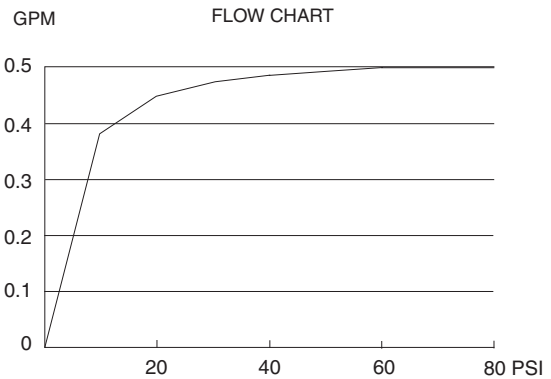
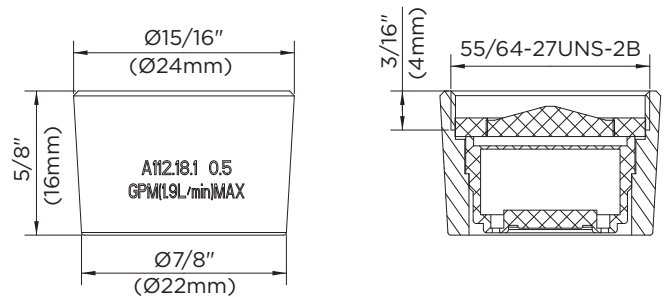
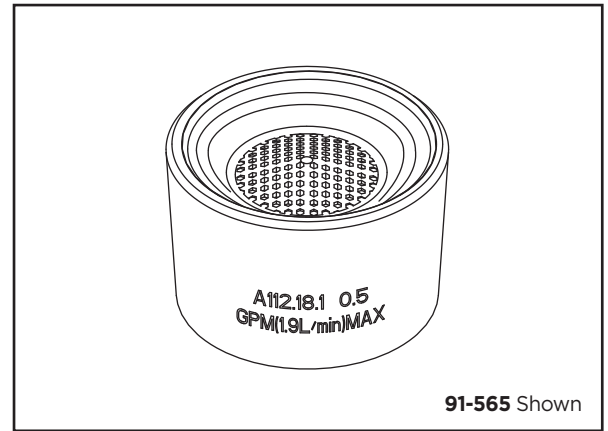
- 91-566** 0.5GPM, Reg, Male, Spray
- 91-565** 0.5GPM, Jr, Female, Spray
- 91-586** 0.5GPM, Jr, Male, Spray
- 91-587** 0.5GPM, Reg, Female, Spray
- 91-579** 0.5GPM, Male, Aerated for Brianne series
- GA66D736N** 0.5GPM Insert, Spray, Brianne Kitchen Pull Out
- GA66D665N** 0.5GPM, Male, Aerated, Waveland
- 97-297** 0.5GPM, Reg, Male, VP, Spray
- 97-298** 0.5GPM, Reg, Female, VP, Spray
- GA603368N** 0.5GPM, Male, Electronic Faucet
- GA603371N** 0.5GPM, Female, Electronic Faucet

#### Prefixes Available:

None

#### Suffixes Available:

None



Job Name	
Date	
Model Specified	
Quantity	
Customer	
Contractor	
Architect/engineer	