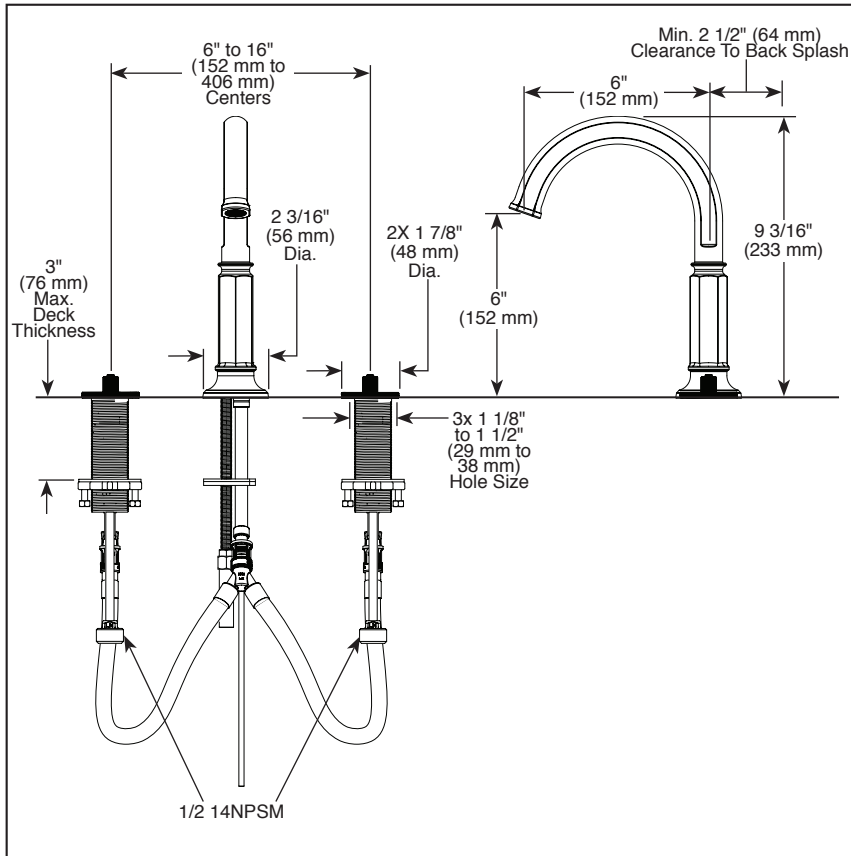




65376LF-▲LHP
65376LF-▲LHP-ECO

Submitted Model No.: _____

Specific Features: _____



BRIZO®

BATHROOM FAUCET

- Invari™ Collection
- Two Handle Widespread Deck Mount

STANDARD SPECIFICATIONS:

- Max flow rate 1.5 gpm @ 60 psi, 5.7 L/min @ 414 kPa
- Max flow rate (ECO model only) 1.2 gpm @ 60 psi, 4.5 L/min @ 414 kPa
- Three hole mount
- Control mechanism is a rotating cylinder ceramic cartridge with 90° rotation
- 1/2-14 NPSM threaded inlets
- Solid brass fabricated end valve and spout bodies
- Spout features laminar water flow
- Handles sold separately

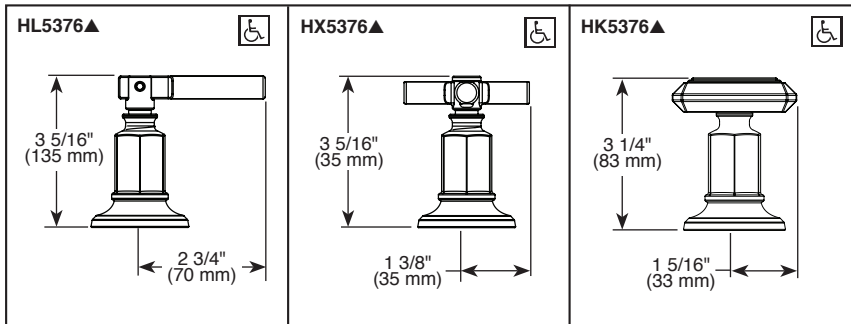
WARRANTY

- Parts and Finish - Lifetime limited warranty; or for commercial purchasers, 10 years for multi-family residential (apartments and condominiums) and 5 years for all other commercial uses, in each case from the date of purchase.
- Electronic Parts and Batteries (if applicable) - 5 years from the date of purchase; or for commercial purchasers, 1 year from the date of purchase. No warranty is provided on batteries.



COMPLIES WITH:

- ASME A112.18.1 / CSA B125.1
- ASME A112.18.2 / CSA B125.2
- ♿ Indicates compliance to ICC/ANSI A117.1
- EPA WaterSense®



▲ Designate Proper Finish Suffix

Brizo Kitchen & Bath Company reserves the right (1) to make changes in specifications and materials, and (2) to change or discontinue models, both without notice or obligation. Dimensions are for reference only. See current full-line price book or www.brizo.com for finish options and product availability.