

ORIGAMI 6030 ORIGINAL SERIES

60" x 30" x 21"

The traditional Japanese art of folding paper into symbolic shapes is the inspiration behind the Origami Collection, which stands out for its clean lines and versatility.



PRODUCT NO.

DESCRIPTION	TMU	TUB
	BOOBRI00T-XX	BOOBRI00N-XX


THERMOMASSEUR (TMU) Hydro-thermo massage • Air jet system	\$
Jets	40
1 heated backrest	Included
MiaPlus® Control	Included
Geysair®	Included
AromaCloud** BAROMAC	\$
Illuzio Chromatherapy BCHRO6	\$

TUB Soaker	\$
AromaCloud** BAROMAC	\$
Illuzio Chromatherapy BCHRO6	\$
WarmTouchShell® BWTS	\$
DOT control	Included with therapy

FEATURES

Installation type	Drop-in, Alcove (3 walls) & Undermount		
No. of bathers	1	Imp. gallons	38
US gallons	46		

STANDARD COLOR

 White 01	 Biscuit 02	Included
--	--	----------

OPTIONS (UPCHARGE APPLICABLE)

COLOR

 Gray 05	\$
---	----

FINISH

UltraVelour Matte Finish (White only) BVEL	\$
--	----

WASTE & OVERFLOW	16" x 35" BOVER16-XX	INTE-GRATED BOVERIN-XX
------------------	----------------------	------------------------

Chrome 07	\$	\$
White 01, Biscuit 02	\$	\$
Brushed Nickel 09, Polished Nickel 10	\$	\$
Oil-rubbed Bronze 11	\$	N/A
Black Chrome 12, Matte Black 19, Satin Brass 18	N/A	\$

SKIRT	MULTIFIT BSMUL-XX	SJ-1 BSJ1-XX
-------	-------------------	--------------

White 01, Biscuit 02	\$	\$
Gray 05	\$	\$

CONTROL (TMU only)


MiaMulti® BMIAM2-XX	\$
---------------------	----

TILE FLANGE (specify right or left)

Ordered with bath (not installed) BTILEN	\$
Factory-installed. Right BTILER, Left BTILEL, Special installation BTILEO	\$

IF REQUIRED BY CONSTRUCTION CODE OR INSTALLED WITH ITD

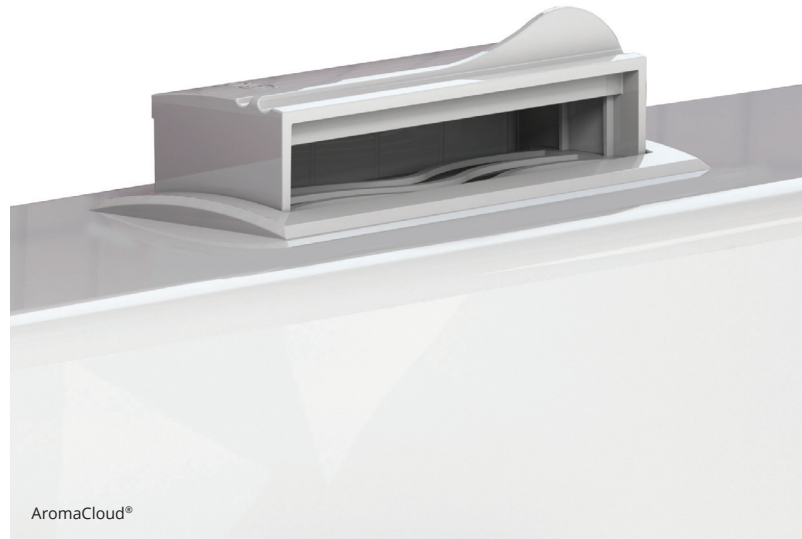
Brass waste & overflow kit** BDRCOB	\$
Brass waste kit** BDRCB	\$
16" x 35" Cable driven Brass waste & overflow kit BOVERBR-XX	\$

 * The AromaCloud® is built into the deck.
 ** When ordered with integrated waste & overflow.

TOTAL PRICE \$

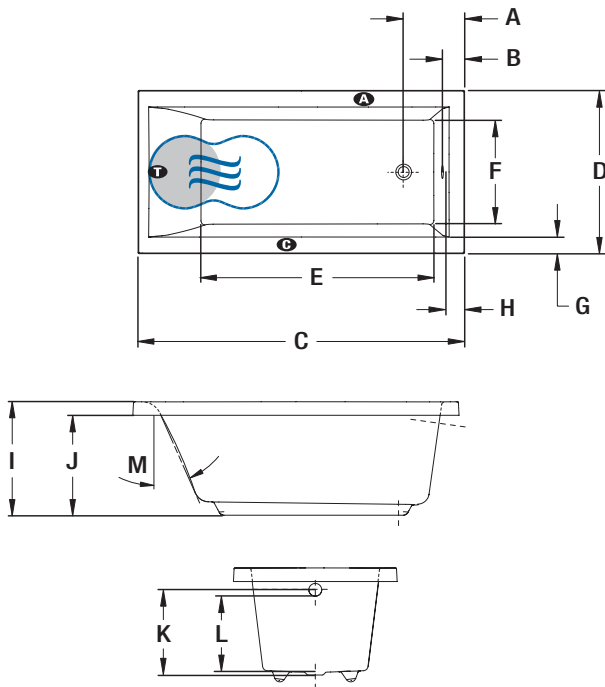


ORIGAMI 6030 ORIGINAL SERIES



INSTALLATION

- A** When tile flange is added, the AromaCloud® will automatically be installed on the opposite side of the flange.



LETTER	DESCRIPTION	MEASURE
A	Outside edge to center drain	11"
B	Outside edge to overflow	3 5/8"
C	Total length	60"
D	Total width	30"
E	Bathing well length	43 1/4"
F	Bathing well width	19 5/8"
G	Deck width	3 1/4"
H	Deck width	3 1/4"
I	Height from bottom of TUB to top deck	21"
J	Height from bottom of TUB to bottom of lip	19"
K	Height from drain to center of overflow	15 1/2"
L	Maximum water level	13 7/8"
M	Slope of backrest	24°

- A** AromaCloud® position
- G** Control position when factory-installed (Mia® or DOT)
- T** Turbine position (TMU)
- Indicates heated backrest (TMU)
- ☞ Indicates WarmTouchShell® position (TUB)

TECHNICAL SPECIFICATIONS

Hot water supply required	Should be 70% of water capacity of TUB or greater.	Cutting template	# 90000048
Turbine	Access to the pump must be at least 18" x 22". Standard connection is 20 A, 120 V, 60 hz , dedicated line with a Ground-Fault Circuit Interrupter (GFCI). For any additional option, a second line is needed 15 A, 120 V, 60 hz , dedicated line with a GFCI. Air vent necessary: 2" x 4" minimum.	Approx. shipping weight	128 lbs
Other	Optional tile flange (specify right or left).	Turbine power	550 W
Our products must be installed by certified professionals only and according to our Owner's Manual as well as federal, provincial/state and local building codes and regulations (www.bainultra.com/documentation/documentation).		Air heater	600 W
		WARRANTY	
		Controls-LED-Geysair*	5 years
		Bath & turbine*	20 years

* Some restrictions apply | www.bainultra.com/warranty



The specifications shown indicate the outer edge dimension and the inside bathing capacity dimension measured at air jets' height. The manufacturer accepts a 1/4" [0.64 cm] variance. There are variations on each product and specifications are subject to change as we improve upon our product as required. The dimensions needed for site preparation and structure building will differ. BainUltra® assumes no responsibility for preparatory work done prior to the product being on site.