

Optik 6636

Model number:

101269

Dimensions: 66" x 36" x 21"

Installation: Alcove

Material: Acrylic



Standard Features:

- Sleek bathtub combines straight and curvaceous lines
- Inclined backrest, curvaceous armrests and deep bathing well
- Ample deck space for faucet installation
- Undermount, drop-in or alcove installation with end drain
- Apron with access panel and 12 in. grab bars available as an option

Product characteristics:

- Elegant design
- Integrated Armrest
- Maximized Bathing Well

Systems:

- Hydrofeel
- Aerofeel
- Combined Hydrofeel/Aerofeel

Warranty:

25 Years

Standard colors:



White (001)



Bone (004)



Biscuit (007)

Certifications

MAAX products adhere to one or more of the following certifications:



Recommended products (Visit our website for a complete list of our recommended doors)

No	Description
137502	Edge Duo Tub Shield 42 x 58 in. 8 mm

Options (Visit our website for a complete list of our options)

No	Description
<input type="checkbox"/> OPT 10097-084	Two 12" metal grab bars in chrome
<input type="checkbox"/> OPT 10097-105	Two 12" metal grab bars in brushed nickel
<input type="checkbox"/> OPT 10054	Two chromatherapy lights
<input type="checkbox"/> OPT 10095	Water heater assembly
<input type="checkbox"/> OPT 10117	Optional minimalist cushion (magnetic)

Optik 6636

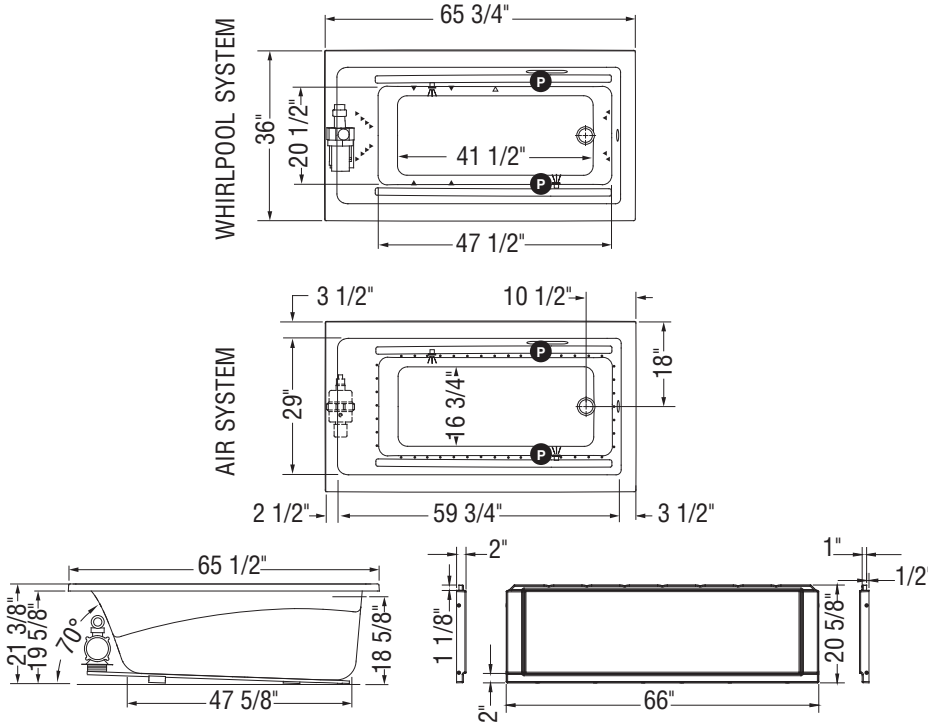
Model number:

101269

Dimensions: 66" x 36" x 21"

Installation: Alcove

Material: Acrylic



(●) : Indicates optional grab bar positioning
 (▲) : Indicates whirlpool jets positioning
 (△) : Indicates suction positioning
 (•) : Indicates airjets positioning
 (☼) : Indicates chromatherapy light positioning
 Bathtub base includes anti-vibration Neutra-Phone leg supports (not shown).
All dimensions are approximate. Structure measurements must be verified against the unit to ensure proper fit.

Dimensions:

65 3/4 x 36 x 21 3/8 in.
 (1670 x 914 x 543 mm)

Water capacity:

73 gallons - 277 liters

Weight:

70 lbs - 31.75 kg

Bathing well:

59 3/4 X 29 in.
 (1518 X 737 mm)

Deep sump height:

20 in. - 508 mm

Deck width:

3 1/2 in. - 89 mm

Drain location:

End

Left

Project:

Contractor:

Representative:

Date:

Tel:

Notes: